

DATA SHEET



SAA6721E SXGA RGB to TFT graphics engine

Preliminary specification
File under Integrated Circuits, IC02

1999 May 11

SXGA RGB to TFT graphics engine**SAA6721E****CONTENTS**

1	FEATURES	8.4	Video mode and synchronization signal detection
1.1	RGB video input	8.5	Memory interface and de-interlacer unit
1.2	YUV video input	8.5.1	Memory interface limitations
1.3	Video processing	8.5.2	Initialization of external memory
1.4	On screen display	8.5.3	Frame and field memory
1.5	Video output	8.5.4	Frame recovery
1.6	Memory interface	8.6	Scaling
1.7	Miscellaneous	8.6.1	Downscaling
2	GENERAL DESCRIPTION	8.6.2	Upscaling
3	QUICK REFERENCE DATA	8.6.3	Upscaler transition function
4	ORDERING INFORMATION	8.7	Panning unit
5	BLOCK DIAGRAM	8.8	Overlay port
6	PINNING INFORMATION	8.8.1	Overlay insertion
7	FUNCTIONAL DESCRIPTION	8.8.2	Sync generation
7.1	Data path	8.8.3	Data sampling
7.2	System clocks	8.8.4	OVCLK gating
7.2.1	Input interface clock (VCLK)	8.9	Colour space matrix
7.2.2	Memory interface clock (MCLKI)	8.10	Colour correction
7.2.3	I ² C-bus interface clock (SCL)	8.11	On screen display
7.2.4	System clock (CLK)	8.11.1	OSD generals
7.2.5	TFT panel clock (PCLK)	8.11.2	OSD window
7.3	RGB input port	8.11.3	OSD character matrix
7.4	YUV input port	8.12	Temporal dithering (frame rate controller)
7.5	TFT output port	8.13	Output interface
7.5.1	Single pixel mode	8.13.1	General
7.5.2	Double pixel mode	8.13.2	Frame generation
7.6	Memory port	8.13.3	Timing reference signals
7.6.1	SDRAM memory configuration	9	LIMITING VALUES
7.6.2	SGRAM memory configuration	10	CHARACTERISTICS
7.7	I ² C-bus interface	11	TIMING CHARACTERISTICS
7.8	De-interlacing algorithms	12	APPLICATION INFORMATION
7.8.1	Static mesh mode	13	PACKAGE OUTLINE
7.8.2	Spatial filtering	14	SOLDERING
7.8.3	Temporal filtering	14.1	Introduction to soldering surface mount packages
7.9	Scaling algorithm	14.2	Reflow soldering
7.9.1	Upscaling	14.3	Wave soldering
7.9.2	Downscaling	14.4	Manual soldering
8	SYSTEM DESCRIPTION	14.5	Suitability of surface mount IC packages for wave and reflow soldering methods
8.1	Programming registers	15	DEFINITIONS
8.2	Clock management	16	LIFE SUPPORT APPLICATIONS
8.2.1	Clock generation and multiplexing	17	PURCHASE OF PHILIPS I ² C COMPONENTS
8.2.2	Clock divider		
8.3	RGB/YUV input interface		
8.3.1	Sampling mode		
8.3.2	RGB data sampling		
8.3.3	Clamp pulse generation		
8.3.4	Gain correction pulse generation		
8.3.5	YUV data sampling		

SXGA RGB to TFT graphics engine

SAA6721E

1 FEATURES

1.1 RGB video input

- Digital single (24-bit) or dual (48-bit) channel RGB input
- Data input of sampled RGB data with a pixel frequency of maximum 150 MHz
- Free definable data acquisition offsets and vertical window size in single pixel increments, horizontal window size in double pixel increments
- Programmable pulses for ADC clamping and ADC gain correction
- Detection of presence of sync signals, and of their polarities
- Support for auto-adjustment functions for sample clock frequency, phase, vertical and horizontal sample offset, as well as colour adjustment
- Maximum supported resolution of 1280 × 1024 dots Super Extended Graphics Adapter (SXGA)
- Support for detection of the applied graphics mode (multi-sync).

1.2 YUV video input

- Pin sharing between YUV and RGB input port
- YUV 4 : 4 : 4, YUV 4 : 2 : 2, YUV 4 : 2 : 2 with CCIR 656 codes, YUV 4 : 1 : 1 input of interlaced and non-interlaced digital video data
- Maximum picture resolution of 1024 × 1024 pixels for interlaced or non-interlaced video
- Input of video data at maximum 75 MHz
- Free definable data acquisition offsets and window in double pixel or single line increments
- YUV to RGB colour space conversion.

1.3 Video processing

- Colour correction Look-Up Table (LUT)
- Phase correct up and downscaling of the RGB data
- Fully programmable scaling ratios
- Independent horizontal and vertical scaling engine
- Free definable position of the scaled input picture inside the output picture with programmable border colour
- De-interlacing unit for digital YUV video data
- Zoom up to full-screen resolution of the de-interlaced YUV video stream via the main scaler.



1.4 On screen display

- Character based internal On Screen Display (OSD)
- Programmable character matrix sizes of either 24 × 24 pixels (42 characters available) or 12 × 16 pixels (128 characters available)
- Programmable width and height of the OSD window, built from maximum 1152 characters
- 8 different colours for foreground and background inclusive transparent colours
- Overlay port for external OSD controller.

1.5 Video output

- Single pixel/clock (24-bit) or double pixel/clock (48-bit) digital RGB output
- Generation of synchronization and validation signals for the Thin Film Transistor (TFT) display
- Frame rate control (temporal dithering) for displaying true colour graphics on high colour displays
- Free programmable timing for displays of several manufacturers.

1.6 Memory interface

- Support of both 1M × 16 SDRAM, 256k × 32 SGRAM or 128k × 32 SGRAM devices
- Maximum memory clock frequency of 125 MHz
- Scalable memory size built of either 2, 3 or 4 SDRAM, or of 1 or 2 SGRAM devices
- Special mode for operation without external memory.

1.7 Miscellaneous

- Internal Phase-Locked Loop (PLL) for memory and panel clock generation from the system clock
- I²C-bus interface with 2 selectable addresses
- Boundary scan test circuit and Joint Test Action Group (JTAG) test controller.

SXGA RGB to TFT graphics engine

SAA6721E

2 GENERAL DESCRIPTION

The SAA6721E is a graphics engine, which converts digital RGB or YUV data into video signals suitable for TFT displays. It supports SXGA input resolution as well as true colour. Independent horizontal and vertical up and downscaling can display the input data arbitrarily on the connected TFT display. Multi-sync capability allows the applied graphics mode to be detected.

Overlay signals can be generated either by an internal OSD generator or supplied via the overlay port from an external OSD controller.

The SAA6721E must be embedded into a system containing a microcontroller with an I²C-bus serial interface. For multi-sync capabilities a frame buffer built from SGRAM or SDRAM is needed. The size of this frame buffer depends on the maximum resolution and bandwidth needed for the application. For converting the analog RGB stream into a digital data stream one or two ADCs with 3 channels each for R, G and B are needed. If the YUV input is used, a video front-end chip such as the SAA7113 must be used in front of the YUV port.

3 QUICK REFERENCE DATA

SYMBOL	PARAMETER	MIN.	TYP.	MAX.	UNIT
V _{DDD}	digital supply voltage	3.0	3.3	3.6	V
I _{DDD}	digital supply current	–	600	840	mA
V _i	input voltages	LVTTTL compatible			
V _o	output voltages memory port	LVTTTL compatible			
	output voltages TFT port	CMOS compatible			
T _{amb}	ambient temperature	0	–	70	°C

4 ORDERING INFORMATION

TYPE NUMBER	PACKAGE		
	NAME	DESCRIPTION	VERSION
SAA6721E	BGA292	plastic ball grid array package; 292 balls; body 27 × 27 × 1.75 mm	SOT489-1

SXGA RGB to TFT graphics engine

SAA6721E

5 BLOCK DIAGRAM

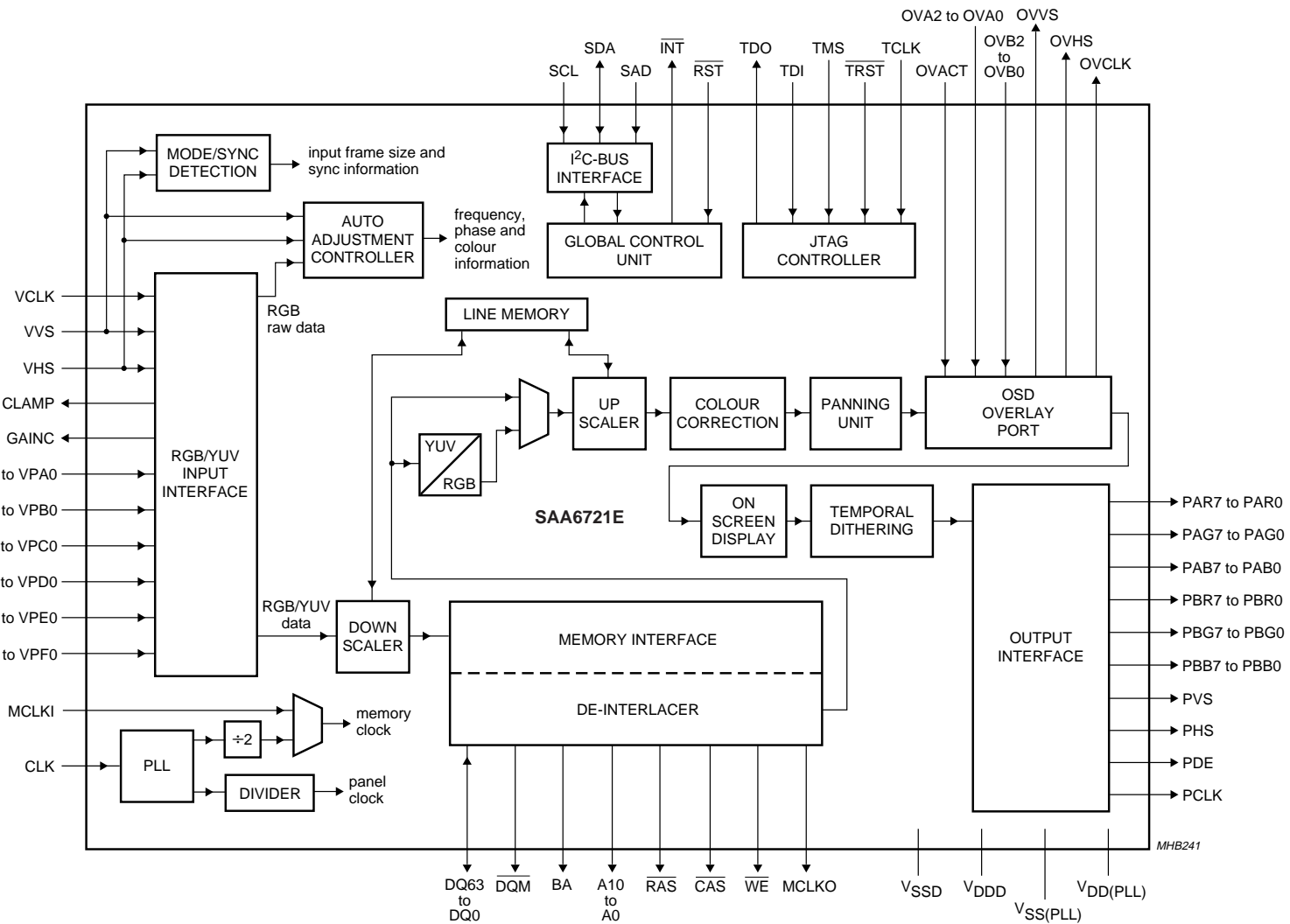


Fig.1 Block diagram.

SXGA RGB to TFT graphics engine

SAA6721E

6 PINNING INFORMATION

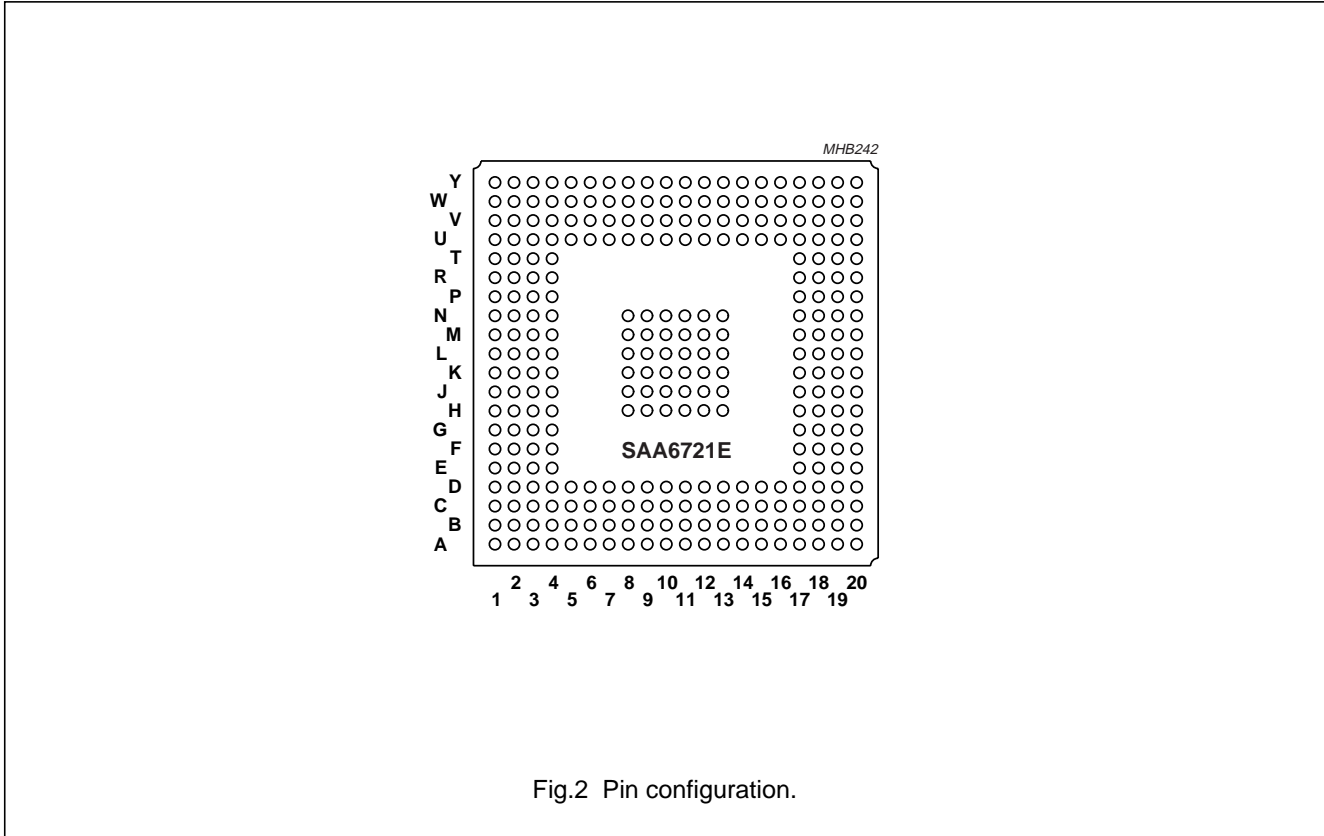


Fig.2 Pin configuration.

Table 1

SYMBOL	PIN	PORT	I/O ⁽¹⁾	DESCRIPTION
VCLK	N1	RGB/YUV input	input	RGB/YUV sample clock
VVS	M3	RGB/YUV input	input	RGB/YUV vertical sync
VHS	M2	RGB/YUV input	input	RGB/YUV horizontal sync
VPA7	C7	RGB/YUV input	input	video input port A; RGB port 0 red channel or YUV port luminance
VPA6	A6	RGB/YUV input	input	
VPA5	B6	RGB/YUV input	input	
VPA4	C6	RGB/YUV input	input	
VPA3	A5	RGB/YUV input	input	
VPA2	D5	RGB/YUV input	input	
VPA1	B5	RGB/YUV input	input	
VPA0	C5	RGB/YUV input	input	

SXGA RGB to TFT graphics engine

SAA6721E

SYMBOL	PIN	PORT	I/O ⁽¹⁾	DESCRIPTION
VPB7	A4	RGB/YUV input	input	video input port B; RGB port 0 green channel or YUV port chrominance
VPB6	B4	RGB/YUV input	input	
VPB5	C4	RGB/YUV input	input	
VPB4	A3	RGB/YUV input	input	
VPB3	B3	RGB/YUV input	input	
VPB2	C3	RGB/YUV input	input	
VPB1	A2	RGB/YUV input	input	
VPB0	B2	RGB/YUV input	input	
VPC7	B1	RGB/YUV input	input	video input port C; RGB port 0 blue channel or YUV port chrominance
VPC6	C2	RGB/YUV input	input	
VPC5	C1	RGB/YUV input	input	
VPC4	D3	RGB/YUV input	input	
VPC3	D2	RGB/YUV input	input	
VPC2	D1	RGB/YUV input	input	
VPC1	E3	RGB/YUV input	input	
VPC0	E2	RGB/YUV input	input	
VPD7	E4	RGB/YUV input	input	video input port D; RGB port 1 red channel or YUV data qualifier port (VPD7 = CREF clock gating signal; VPD6 = HREF active horizontal video)
VPD6	E1	RGB/YUV input	input	
VPD5	F3	RGB/YUV input	input	
VPD4	F2	RGB/YUV input	input	
VPD3	F1	RGB/YUV input	input	
VPD2	G3	RGB/YUV input	input	
VPD1	G2	RGB/YUV input	input	
VPD0	G4	RGB/YUV input	input	
VPE7	G1	RGB/YUV input	input	video input port E; RGB port 1 green channel
VPE6	H3	RGB/YUV input	input	
VPE5	H2	RGB/YUV input	input	
VPE4	H1	RGB/YUV input	input	
VPE3	J2	RGB/YUV input	input	
VPE2	J4	RGB/YUV input	input	
VPE1	J1	RGB/YUV input	input	
VPE0	K3	RGB/YUV input	input	
VPF7	K2	RGB/YUV input	input	video input port F; RGB port 1 blue channel
VPF6	K1	RGB/YUV input	input	
VPF5	L1	RGB/YUV input	input	
VPF4	L4	RGB/YUV input	input	
VPF3	L2	RGB/YUV input	input	
VPF2	L3	RGB/YUV input	input	
VPF1	M1	RGB/YUV input	input	
VPF0	M4	RGB/YUV input	input	

SXGA RGB to TFT graphics engine

SAA6721E

SYMBOL	PIN	PORT	I/O ⁽¹⁾	DESCRIPTION
CLAMP	N2	RGB/YUV input	output	clamp pulse for analog-to-digital converter
GAINC	N3	RGB/YUV input	output	gain correction pulse for analog-to-digital converter
PCLK	Y13	panel interface	output	panel clock
PVS	V12	panel interface	output	panel vertical sync
PHS	W12	panel interface	output	panel horizontal sync
PDE	U12	panel interface	output	panel data enable
PAR7	P1	panel interface	output	panel port A red channel
PAR6	P4	panel interface	output	
PAR5	P2	panel interface	output	
PAR4	P3	panel interface	output	
PAR3	R1	panel interface	output	
PAR2	R2	panel interface	output	
PAR1	R3	panel interface	output	
PAR0	T1	panel interface	output	
PAG7	T4	panel interface	output	panel port A green channel
PAG6	T2	panel interface	output	
PAG5	T3	panel interface	output	
PAG4	U1	panel interface	output	
PAG3	U2	panel interface	output	
PAG2	V1	panel interface	output	
PAG1	V2	panel interface	output	
PAG0	W1	panel interface	output	
PAB7	Y1	panel interface	output	panel port A blue channel
PAB6	W2	panel interface	output	
PAB5	Y2	panel interface	output	
PAB4	V3	panel interface	output	
PAB3	W3	panel interface	output	
PAB2	Y3	panel interface	output	
PAB1	V4	panel interface	output	
PAB0	Y4	panel interface	output	
PBR7	V5	panel interface	output	panel port B red channel
PBR6	W5	panel interface	output	
PBR5	Y5	panel interface	output	
PBR4	V6	panel interface	output	
PBR3	W6	panel interface	output	
PBR2	Y6	panel interface	output	
PBR1	V7	panel interface	output	
PBR0	W7	panel interface	output	

SXGA RGB to TFT graphics engine

SAA6721E

SYMBOL	PIN	PORT	I/O ⁽¹⁾	DESCRIPTION
PBG7	Y7	panel interface	output	panel port B green channel
PBG6	V8	panel interface	output	
PBG5	W8	panel interface	output	
PBG4	Y8	panel interface	output	
PBG3	V9	panel interface	output	
PBG2	W9	panel interface	output	
PBG1	U9	panel interface	output	
PBG0	Y9	panel interface	output	
PBB7	V10	panel interface	output	panel port B blue channel
PBB6	W10	panel interface	output	
PBB5	Y10	panel interface	output	
PBB4	Y11	panel interface	output	
PBB3	U11	panel interface	output	
PBB2	W11	panel interface	output	
PBB1	V11	panel interface	output	
PBB0	Y12	panel interface	output	
SCL	V18	I ² C-bus interface	input	I ² C-bus interface clock line
SDA	W18		input/output	I ² C-bus interface data line
SAD	Y17		input	I ² C-bus address select: 0 = 74H, 1 = 76H
OVCLK	Y16	overlay	output	overlay port clock
OVVS	W16	overlay	output	overlay port vertical sync
OVHS	V15	overlay	output	overlay port horizontal sync
OVACT	V16	overlay	input	overlay port pixel active
OVA0	Y14	overlay	input	overlay port input pixel A
OVA1	V13	overlay	input	
OVA2	W13	overlay	input	
OVB0	Y15	overlay	input	overlay port input pixel B
OVB1	V14	overlay	input	
OVB2	W14	overlay	input	
MCLKO	A17	memory interface	output	memory clock output
$\overline{\text{RAS}}$	A18	memory interface	output	memory Row Address Strobe (RAS) signal (active LOW)
$\overline{\text{CAS}}$	C17	memory interface	output	memory Column Address Strobe (CAS) signal (active LOW)
$\overline{\text{WE}}$	D16	memory interface	output	memory Write Enable (WE) signal (active LOW)
$\overline{\text{DQM}}$	T17	memory interface	output	memory data mask (active LOW)

SXGA RGB to TFT graphics engine

SAA6721E

SYMBOL	PIN	PORT	I/O ⁽¹⁾	DESCRIPTION
A0	A20	memory interface	output	memory address bus
A1	C20	memory interface	output	
A2	D20	memory interface	output	
A3	E19	memory interface	output	
A4	F18	memory interface	output	
A5	E17	memory interface	output	
A6	E18	memory interface	output	
A7	C19	memory interface	output	
A8	C18	memory interface	output	
A9	D18	memory interface	output	
A10	B19	memory interface	output	memory bank select
BA	A19	memory interface	output	
DQ0	M20	memory interface	input/output	memory data bus
DQ1	M19	memory interface	input/output	
DQ2	N20	memory interface	input/output	
DQ3	N19	memory interface	input/output	
DQ4	P19	memory interface	input/output	
DQ5	R19	memory interface	input/output	
DQ6	T20	memory interface	input/output	
DQ7	T19	memory interface	input/output	
DQ8	T18	memory interface	input/output	
DQ9	R18	memory interface	input/output	
DQ10	P18	memory interface	input/output	
DQ11	P17	memory interface	input/output	
DQ12	N18	memory interface	input/output	
DQ13	M18	memory interface	input/output	
DQ14	M17	memory interface	input/output	
DQ15	L19	memory interface	input/output	
DQ16	E20	memory interface	input/output	
DQ17	F20	memory interface	input/output	
DQ18	G20	memory interface	input/output	
DQ19	H20	memory interface	input/output	
DQ20	J20	memory interface	input/output	
DQ21	K19	memory interface	input/output	
DQ22	K20	memory interface	input/output	
DQ23	L20	memory interface	input/output	
DQ24	K17	memory interface	input/output	
DQ25	K18	memory interface	input/output	
DQ26	J19	memory interface	input/output	
DQ27	J18	memory interface	input/output	
DQ28	H19	memory interface	input/output	

SXGA RGB to TFT graphics engine

SAA6721E

SYMBOL	PIN	PORT	I/O ⁽¹⁾	DESCRIPTION
DQ29	H18	memory interface	input/output	memory data bus
DQ30	G18	memory interface	input/output	
DQ31	F19	memory interface	input/output	
DQ32	A12	memory interface	input/output	
DQ33	B12	memory interface	input/output	
DQ34	A13	memory interface	input/output	
DQ35	B13	memory interface	input/output	
DQ36	A14	memory interface	input/output	
DQ37	B14	memory interface	input/output	
DQ38	A15	memory interface	input/output	
DQ39	B15	memory interface	input/output	
DQ40	A16	memory interface	input/output	
DQ41	C15	memory interface	input/output	
DQ42	C14	memory interface	input/output	
DQ43	D14	memory interface	input/output	
DQ44	C13	memory interface	input/output	
DQ45	C12	memory interface	input/output	
DQ46	D12	memory interface	input/output	
DQ47	C11	memory interface	input/output	
DQ48	B7	memory interface	input/output	
DQ49	A7	memory interface	input/output	
DQ50	B8	memory interface	input/output	
DQ51	A8	memory interface	input/output	
DQ52	B9	memory interface	input/output	
DQ53	A9	memory interface	input/output	
DQ54	B10	memory interface	input/output	
DQ55	A10	memory interface	input/output	
DQ56	B11	memory interface	input/output	
DQ57	A11	memory interface	input/output	
DQ58	D10	memory interface	input/output	
DQ59	C10	memory interface	input/output	
DQ60	D9	memory interface	input/output	
DQ61	C9	memory interface	input/output	
DQ62	C8	memory interface	input/output	
DQ63	D7	memory interface	input/output	
TCLK	U19	JTAG test controller	input	JTAG test controller clock; note 2
$\overline{\text{TRST}}$	W17		input	JTAG test controller reset (active LOW); note 2
TDI	U18		input	JTAG test data input; note 2
TMS	V19		input	JTAG test mode select; note 2
TDO	W19		output	JTAG test data output

SXGA RGB to TFT graphics engine

SAA6721E

SYMBOL	PIN	PORT	I/O ⁽¹⁾	DESCRIPTION
CLK	Y19	miscellaneous	input	system and panel clock
$\overline{\text{RST}}$	Y20		input	system reset (active LOW)
$\overline{\text{INT}}$	Y18		output	mode detection interrupt (active LOW)
MCLKI	W20		input	memory clock input
V _{SSD}	A1	-	-	digital ground supply
	D4			
	D8			
	D13			
	D17			
	H4			
	H17			
	N4			
	N17			
	U4			
	U8			
	U13			
U17				
V _{DDD}	D6	-	-	digital supply voltage
	D11			
	D15			
	F4			
	F17			
	K4			
	L17			
	R4			
	R17			
	U6			
	U10			
	U15			
V _{SS(PLL)}	V17	-	-	ground supply for internal PLL circuitry
V _{DD(PLL)}	U16	-	-	supply voltage for internal PLL circuitry
n.c.	B16	-	-	not connected
n.c.	B17	-	-	not connected
n.c.	B18	-	-	not connected
n.c.	B20	-	-	not connected
n.c.	C16	-	-	not connected
n.c.	D19	-	-	not connected
n.c.	G17	-	-	not connected
n.c.	G19	-	-	not connected
n.c.	J3	-	-	not connected
n.c.	J17	-	-	not connected

SXGA RGB to TFT graphics engine

SAA6721E

SYMBOL	PIN	PORT	I/O ⁽¹⁾	DESCRIPTION
n.c.	L18	–	–	not connected
n.c.	P20	–	–	not connected
n.c.	R20	–	–	not connected
n.c.	U3	–	–	not connected
n.c.	U5	–	–	not connected
n.c.	U7	–	–	not connected
n.c.	U14	–	–	not connected
n.c.	U20	–	–	not connected
n.c.	V20	–	–	not connected
n.c.	W4	–	–	not connected
n.c.	W15	–	–	not connected

Notes

1. Generally all inputs are 5 V tolerant TTL inputs. All outputs are CMOS, except the memory interface ports, which are LVTTTL compatible.
2. Connect to ground when not using the JTAG controller.

7 FUNCTIONAL DESCRIPTION**7.1 Data path**

Input video data is sampled either as RGB data in single pixels from only one ADC or in double pixels in interleaved format from two ADCs. Alternatively the input interface can sample interlaced or non-interlaced YUV data. The clock for sampling the data will always be provided from external circuitry. The video stream will be adapted from the input frame rate to the output frame rate needed by the panel. Therefore a frame buffer built of SDRAMs or SGRAMs is used. If the panel supports the incoming frame rate from the RGB port, the adaption can be done without external memory. If the video stream is in interlaced format the memory interface activates its de-interlacing unit.

If zooming must be performed the upscaler behind the memory interface will be enabled. For downscaling the downscaler in front of the memory interface in the data path will be used. A colour correction can be done via a look-up table. The resulting video stream can now be positioned elsewhere in the output data stream by the panning unit. If an external OSD controller is embedded into the system, its OSD window will be put into the video stream by the OSD overlay port. Additionally the internal OSD will be inserted in the next stage. The temporal dithering allows true colour pictures to be displayed on high colour panels. The output interface provides the timing and control signals necessary for the connected panel.

7.2 System clocks**7.2.1 INPUT INTERFACE CLOCK (VCLK)**

This clock is used for sampling the incoming RGB or YUV data stream. In RGB mode this clock varies from 25 to 150 MHz in single ADC mode. If two ADCs are used the RGB input clock is between 12.5 and 75 MHz. In YUV mode the clock lies in the range of approximately 30 MHz. The clocks are generated from external devices.

The RGB clock can be generated by the external ADCs or an external video PLL. The YUV clock must be generated by the video decoder which also provides the YUV video data.

7.2.2 MEMORY INTERFACE CLOCK (MCLKI)

The memory clock is the synchronous clock for the external frame buffer. Depending on the bandwidth needed by the application, and the connected SDRAM or SGRAM devices, the clock varies from 83 to 125 MHz. It can be generated internally by the PLL from the system clock (CLK), or by an external quartz oscillator.

If the internal PLL is used, the memory clock frequency can be derived from the following formula:

$$f_{\text{memory}} = \frac{f_{\text{system}}}{N} \times 16$$

Where N = pre-divider ratio and f_{system} = clock at pin CLK.

SXGA RGB to TFT graphics engine

SAA6721E

7.2.3 I²C-BUS INTERFACE CLOCK (SCL)

This clock drives the interface to the external microcontroller. Its frequency range is from 100 kHz to 1 MHz.

7.2.4 SYSTEM CLOCK (CLK)

This clock is used to drive the internal PLL. The frequency range is from 24 to 50 MHz.

7.2.5 TFT PANEL CLOCK (PCLK)

This clock is the timing reference for the panel. The frequency is the same as the system clock, or it can be generated from the internal PLL by using the following formula:

$$f_{\text{tft}} = \frac{f_{\text{system}}}{N} \times \frac{32}{M}$$

Where N = pre-divider ratio and M = post-divider ratio.

7.3 RGB input port

The RGB input port can operate in two modes; single pixel mode (24 bits) and double pixel mode (48 bits). For single pixel mode only ports VPA7 to VPA0, VPB7 to VPB0, and VPC7 to VPC0 are internally sampled. For double pixel mode two pixels must be provided at the RGB input port.

Therefore ports VPD7 to VPD0, VPE7 to VPE0, and VPF7 to VPF0 are also needed.

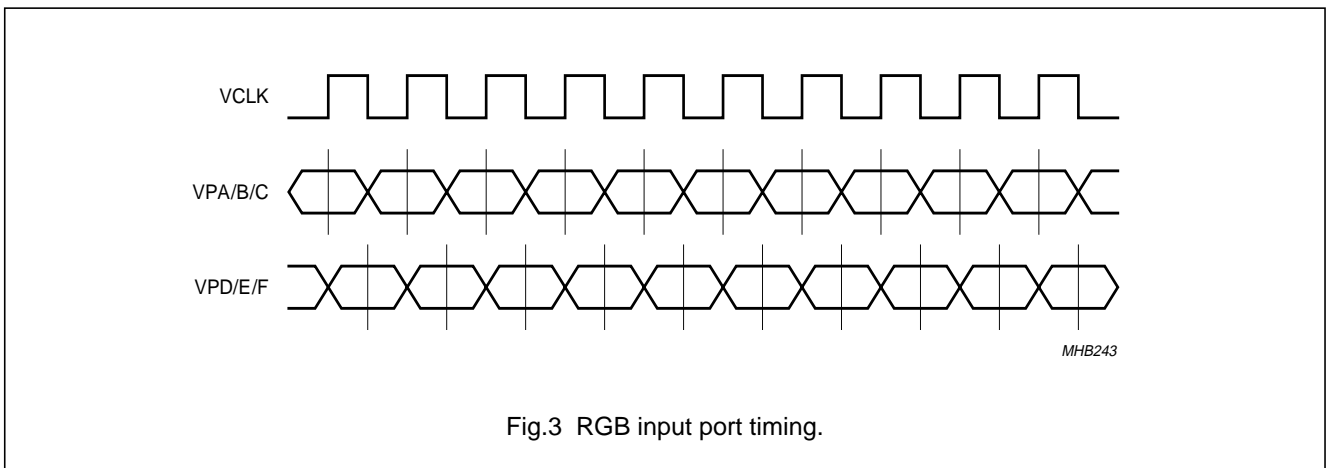
The VPA/B/C ports are sampled on the rising edge of the RGB input clock (VCLK), and the VPD/E/F ports on the falling edge (see Fig.3).

The synchronization pulses from the graphics card are used to identify the frame outline. The vertical synchronization pulse is connected to pin VVS, and the horizontal synchronization pulse is connected to pin VHS.

For calibrating the connected Analog-to-Digital Converter (ADC) the SAA6721E delivers a clamp pulse at pin CLAMP, and a gain correction pulse at pin GAINC (see Fig.4).

The sample window of the RGB input port is controlled by four counters; horizontal and vertical offset, and horizontal and vertical window size.

The offset counters start at the inactive or second edge of their corresponding synchronization signal.



SXGA RGB to TFT graphics engine

SAA6721E

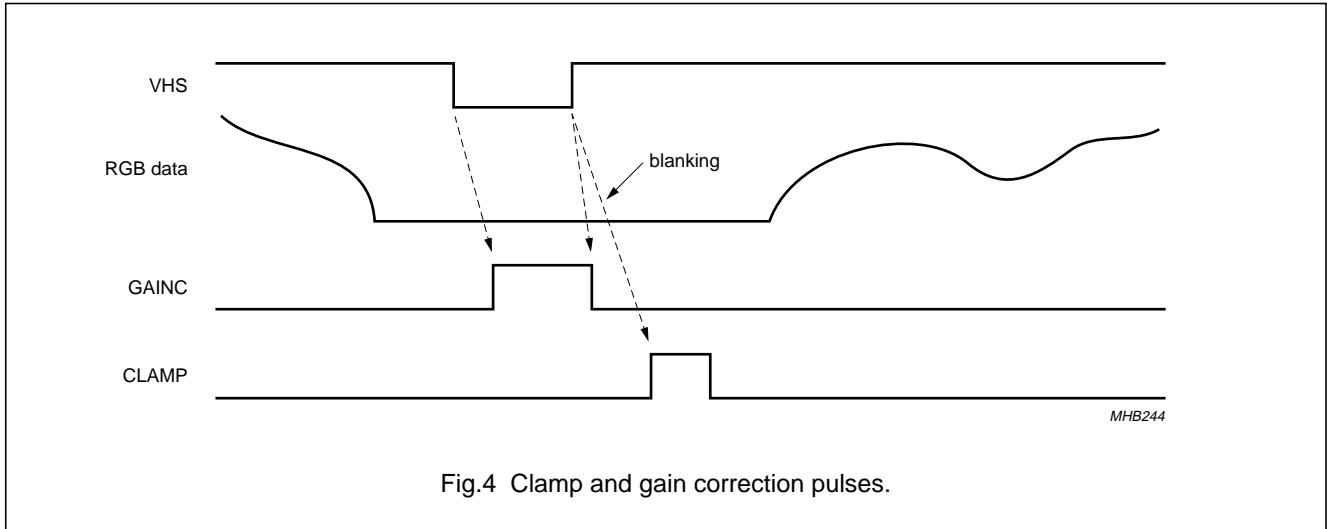


Fig.4 Clamp and gain correction pulses.

7.4 YUV input port

The YUV input port supports interlaced video streams and provides an easy connection to most common decoder ICs. It consists of the luminance port VPA7 to VPA0, the chrominance port VPB7 to VPB0, and eventually VPC7 to VPC0, which are CCIR 601 level compatible (Y: 16 to 235, and UV: 16 to 240).

Supported at this port are the formats YUV 4 : 1 : 1, YUV 4 : 2 : 2 and YUV 4 : 2 : 2 with CCIR 656 codes (see Table 2).

YUV 4 : 4 : 4 data can be applied at VPA7 to VPA0 (Y), VPB7 to VPB0 (U), and VPC7 to VPC0 (V). Input data is sampled with respect to the clock at pin VCLK if pin VPD7 (CREF) is asserted.

The start of active video data in a line is marked by the rising edge at pin VPD6 (HREF) and the end of valid video data is marked by the falling edge at pin VPD6. Figure 5 illustrates this at a YUV 4 : 2 : 2 example.

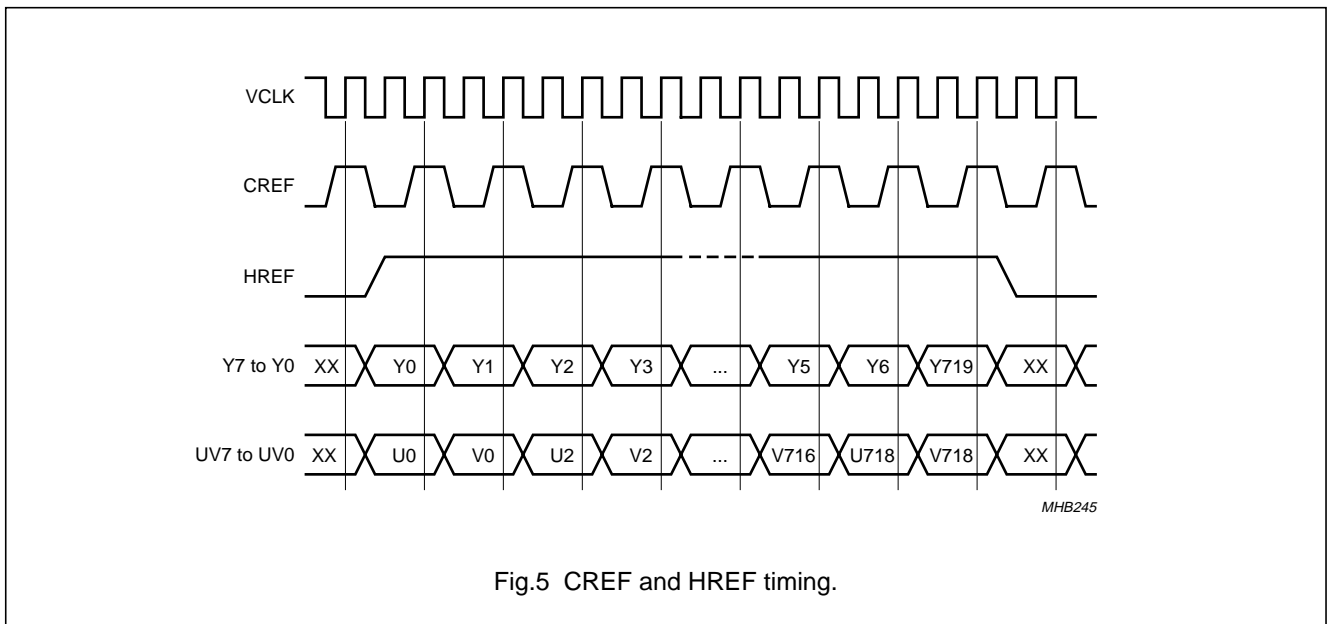


Fig.5 CREF and HREF timing.

SXGA RGB to TFT graphics engine

SAA6721E

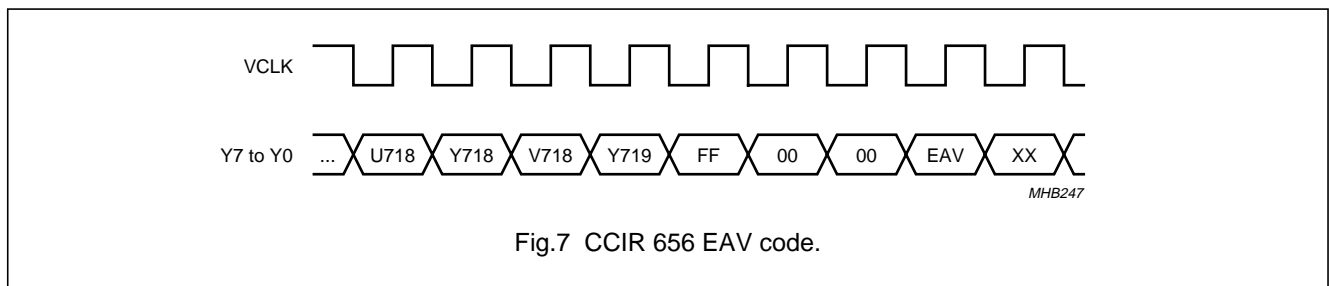
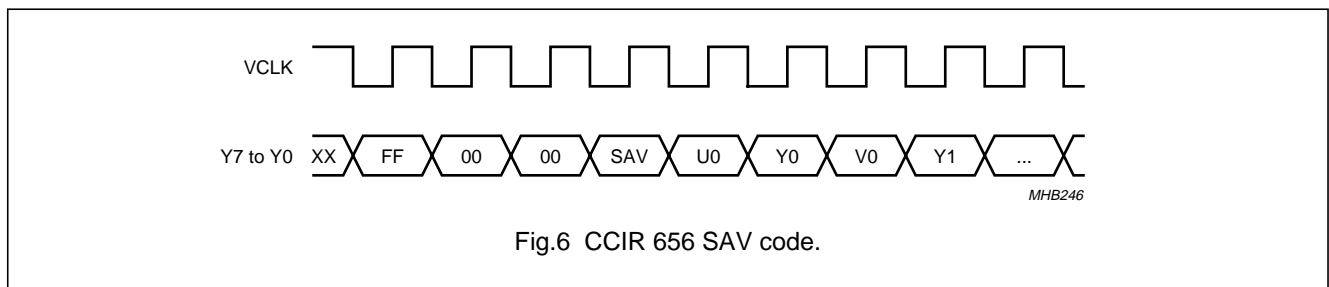
Table 2 YUV input formats

SIGNAL	4 : 1 : 1 FORMAT				4 : 2 : 2 FORMAT		CCIR 656			
	Y07	Y17	Y27	Y37	Y07	Y17	U07	Y07	V07	Y17
Y7	Y07	Y17	Y27	Y37	Y07	Y17	U07	Y07	V07	Y17
Y6	Y06	Y16	Y26	Y36	Y06	Y16	U06	Y06	V06	Y16
Y5	Y05	Y15	Y25	Y35	Y05	Y15	U05	Y05	V05	Y15
Y4	Y04	Y14	Y24	Y34	Y04	Y14	U04	Y04	V04	Y14
Y3	Y03	Y13	Y23	Y33	Y03	Y13	U03	Y03	V03	Y13
Y2	Y02	Y12	Y22	Y32	Y02	Y12	U02	Y02	V02	Y12
Y1	Y01	Y11	Y21	Y31	Y01	Y11	U01	Y01	V01	Y11
Y0	Y00	Y10	Y20	Y30	Y00	Y10	U00	Y00	V00	Y10
UV7	U07	U05	U03	U01	U07	V07	X	X	X	X
UV6	U06	U04	U02	U00	U06	V06	X	X	X	X
UV5	V07	V05	V03	V01	U05	V05	X	X	X	X
UV4	V06	V04	V02	V00	U04	V04	X	X	X	X
UV3	X	X	X	X	U03	V03	X	X	X	X
UV2	X	X	X	X	U02	V02	X	X	X	X
UV1	X	X	X	X	U01	V01	X	X	X	X
UV0	X	X	X	X	U00	V00	X	X	X	X
Data frequency	$\frac{1}{2}$ VCLK				$\frac{1}{2}$ VCLK		VCLK			

For YUV 4 : 4 : 4 the Y, U, and V components are available in parallel.

If non-interlaced video data is applied, it is treated as odd fields. Interlaced video data is sampled odd field, even field, odd field, even field, etc. If there are equal subsequent frames, only the first of these frames will be

sampled. The decoding of odd and even fields is done with HREF. In CCIR 656 data streams the included codes are used for identifying even and odd frames, blanking and active video data. The codes start with the byte sequence FF 00 00, followed by the reference code byte; see Figs 6 and 7.



SXGA RGB to TFT graphics engine

SAA6721E

The CCIR 656 code byte contains vertical and horizontal blanking as well as odd and even field information, the protection bits P3 to P0 are ignored.

Table 3 CCIR 656 code byte

MSB							LSB
7	6	5	4	3	2	1	0
1	F ⁽¹⁾	V ⁽²⁾	H ⁽³⁾	P3	P2	P1	P0

Notes

1. F = 0: odd field (field 1); F = 1: even field (field 2).
2. V = 0: in active field lines; V = 1: in field blanking.
3. H = 0: SAV (Start of Active Video);
H = 1: EAV (End of Active Video).

The sample window of the YUV input port is controlled by four counters; horizontal and vertical offset, and horizontal and vertical window size. The vertical offset counter starts counting from the inactive or second edge of its corresponding reference signal. The horizontal offset counter starts with the active edge of the HREF signal.

7.5 TFT output port

The TFT output port consists of two pixel ports (A and B), each containing red, green and blue colour information with a resolution of 8 bits per colour. The first pixel port is mapped to PAR7 to PAR0, PAG7 to PAG0, and PAB7 to PAB0. The second port is mapped to PBR7 to PBR0, PBG7 to PBG0, and PBB7 to PBB0.

The vertical and horizontal synchronization signals are mapped to pins PVS and PHS. A data validation signal framing visible pixels is available at pin PDE.

All of the above mentioned signals are synchronized to the output clock at pin PCLK. The active edge of this clock is programmable.

7.5.1 SINGLE PIXEL MODE

The single pixel mode is designed to support TFT panels with single pixel input, and for direct connection of panel link transmitters. Only the first pixel port PAR7 to PAR0, PAG7 to PAG0, and PAB7 to PAB0 is used. The data is applied at double the frequency in comparison to the double pixel output mode.

7.5.2 DOUBLE PIXEL MODE

The double pixel mode is used for direct connection of TFT panels with double pixel input. Both output ports are used. The first pixel is applied at port A, and the second at port B.

7.6 Memory port

The memory port connects the SAA6721E to the external frame buffer. This frame memory can be built from either 1M × 16 SDRAM or 256k × 32 SGRAM devices. Supported are RAM devices with clock frequencies up to 125 MHz. This clock can be provided either by the internal PLL, or externally be applied to pin MCLKI.

The memory data bus is split into 4 ports: port 0 (DQ0 to DQ15), port 1 (DQ16 to DQ31), port 2 (DQ32 to DQ47) and port 3 (DQ48 to DQ63).

To adapt the external memory to the needs of the application by means of memory size and bandwidth, it is possible to scale the external memory by using only the number of subsequent ports needed to build up the frame buffer and to achieve the memory bandwidth. As a second step for bandwidth optimization several speed grades of memory devices can be used.

7.6.1 SDRAM MEMORY CONFIGURATION

SDRAMs are available in sizes from 16 Mbits. For this application a wide data bus is required, so that at least 1M × 16 devices must be used. To achieve the desired bandwidth, 2 to 4 devices must be used in parallel, which results in a frame buffer size of 4 to 8 Mbytes. But only half of this memory will be used by the SAA6721E.

The memory port of the SAA6721E can be divided into 4 SDRAM channels. Each channel is 16 bits wide, and provides in High Speed Channel (HSC) mode with a 125 MHz memory clock and an effective bandwidth of 228 Mbits/s. A Medium Speed Channel (MSC) with a 100 MHz memory clock gives an effective bandwidth of 182 Mbits/s, 91% effective bandwidth assumed.

Table 4 gives the channel configuration for several input and panel resolutions.

SXGA RGB to TFT graphics engine

SAA6721E

Table 4 SDRAM channel configurations

INPUT RESOLUTION	SVGA (800 × 600)		XGA (1024 × 768)		SXGA (1280 × 1024)	
	60 Hz	75 Hz	60 Hz	75 Hz	60 Hz	75 Hz
Panel	2 Mbits frame buffer needed		3 Mbits frame buffer needed		4 Mbits frame buffer needed	
XGA ⁽¹⁾	288 Mbits/s bandwidth; 2 × HSC or 2 × MSC	319 Mbits/s bandwidth; 2 × HSC or 2 × MSC	411 Mbits/s bandwidth; 2 × HSC or 3 × MSC	452 Mbits/s bandwidth; 2 × HSC or 3 × MSC	475 Mbits/s bandwidth; 3 × HSC or 3 × MSC	540 Mbits/s bandwidth; 3 × HSC or 3 × MSC
SXGA ⁽²⁾	307 Mbits/s bandwidth; 2 × HSC or 2 × MSC	337 Mbits/s bandwidth; 2 × HSC or 2 × MSC	435 Mbits/s bandwidth; 2 × HSC or 3 × MSC	476 Mbits/s bandwidth; 3 × HSC or 3 × MSC	624 Mbits/s bandwidth; 3 × HSC or 4 × MSC	705 Mbits/s bandwidth; 4 × HSC or 4 × MSC

Notes

- 36 MHz clock frequency.
- 50 MHz clock frequency.

7.6.2 SGRAM MEMORY CONFIGURATION

SGRAM devices organized to 256k × 32 bits are available, and feature the wide data bus for high speed applications. With these devices a frame buffer can be built, without wasting memory because of bandwidth. In case of SGRAM usage, the memory data bus of the SAA6721E can be split into 2 channels of 32 bits each.

Each channel gives, in HSC mode with 125 MHz clock frequency, an effective bandwidth of 456 Mbits/s; and in MSC mode, with 100 MHz clock speed, an effective bandwidth of 364 Mbits/s.

Table 5 gives the channel configuration for several input and panel resolutions.

Table 5 SGRAM channel configurations

INPUT RESOLUTION	SVGA (800 × 600)		XGA (1024 × 768)		SXGA (1280 × 1024)	
	60 Hz	75 Hz	60 Hz	75 Hz	60 Hz	75 Hz
Panel	2 Mbits frame buffer needed		3 Mbits frame buffer needed		4 Mbits frame buffer needed	
XGA ⁽¹⁾	288 Mbits/s bandwidth; 1 × HSC or 1 × MSC	319 Mbits/s bandwidth; 1 × HSC or 1 × MSC	411 Mbits/s bandwidth; 1 × HSC or 2 × MSC	452 Mbits/s bandwidth; 1 × HSC or 2 × MSC	475 Mbits/s bandwidth; 2 × HSC or 2 × MSC	540 Mbits/s bandwidth; 2 × HSC or 2 × MSC
SXGA ⁽²⁾	307 Mbits/s bandwidth; 1 × HSC or 1 × MSC	337 Mbits/s bandwidth; 1 × HSC or 1 × MSC	435 Mbits/s bandwidth; 1 × HSC or 2 × MSC	476 Mbits/s bandwidth; 2 × HSC or 2 × MSC	624 Mbits/s bandwidth; 2 × HSC or 2 × MSC	705 Mbits/s bandwidth; 2 × HSC or 2 × MSC

Notes

- 36 MHz clock frequency.
- 50 MHz clock frequency.

SXGA RGB to TFT graphics engine

SAA6721E

7.7 I²C-bus interface

This serial interface consists of only two signals, the serial clock line (SCL) and the serial data line (SDA). The maximum supported frequency on this bus is 1 MHz. Spikes with a maximum pulse length of 50 ns are suppressed by the internal input filter.

The SAA6721E operates as a slave and cannot initiate any data transfer, so the clock line is always input. Via the data line, data is transmitted and received, so this pin must be input/output. The SCL and SDA lines are driven by open-drain stages and pull-up resistors. When a logic 0 is applied, the bus is set to ground level via the output buffers. When a logic 1 is applied, the output buffer switches to 3-state and the pull-up resistors pull the bus up to +5 V.

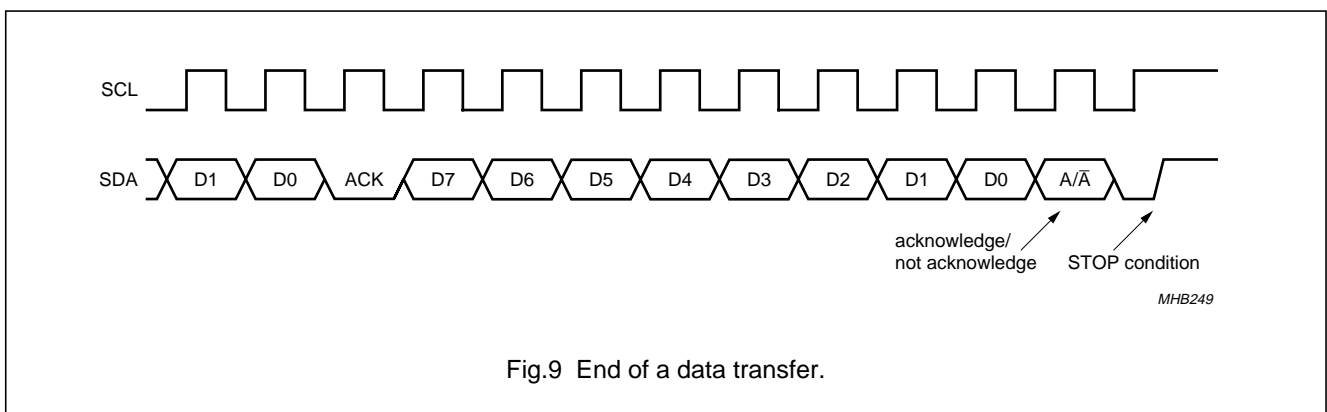
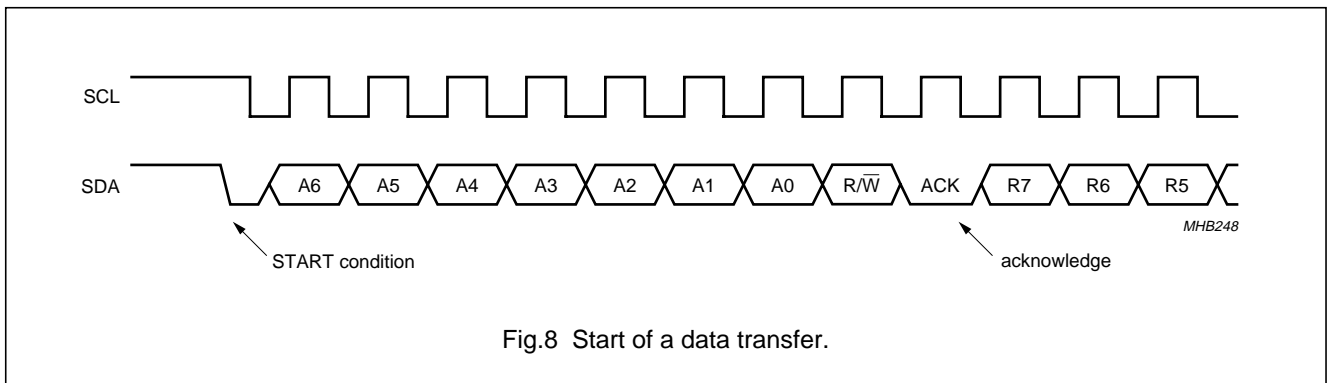
Data transfer changes on SDA are allowed only when SCL is LOW. Data is sampled on the positive edge of SCL. In Idle state the output buffers are in 3-state, and the bus is HIGH. A data transfer must be initiated by an I²C-bus master device. This is done by sending a START condition when SDA changes from HIGH to LOW when SCL is HIGH (see Fig.8).

The device address of the SAA6721E must then be sent with the desired I/O direction.

If the SAA6721E reads its device address, it acknowledges this by sending a single bit ACK to the master. If write mode was selected, the master sends the register address to be written and then the data bytes. If read mode was selected, the SAA6721E sends the data bytes starting from the last address accessed either by write command or the next address at a read command.

All byte transfers are acknowledged from the receiving device. The data transfer is aborted by sending a STOP condition, when SDA changes from LOW to HIGH when SCL is HIGH (see Fig.9).

If a new address has to be read or written, it is possible to send a new START condition without a preceding STOP condition. In this case the bus is still occupied by the master, and it can initiate a new data transfer. This is useful for read activities, where at first the register address must be sent in write mode and after that a read command will be sent to read data from this and following addresses.



SXGA RGB to TFT graphics engine

SAA6721E

If the data transfer was a read transfer and the master was receiver, the master must not generate an acknowledge before the STOP condition.

7.8 De-interlacing algorithms

The SAA6721E features several de-interlacing algorithms for processing interlaced video data. Depending on the algorithm different memory bandwidths and field memories are needed.

7.8.1 STATIC MESH MODE

This mode allows de-interlacing without any image processing and filtering. A field store for 2 fields is necessary. De-interlacing is achieved by simply putting lines together in the right order from the odd and even fields in the field store and generating the output frame.

7.8.2 SPATIAL FILTERING

The spatial filtering mode requires 2 field memories, but only one memory is used at a time. For the calculation of the whole frame from an odd field, the missing even lines are interpolated from the odd lines before and after. Processing of the even field is done in the same way.

7.8.3 TEMPORAL FILTERING

The filtering algorithm needs 4 field memories and will be applied temporally to subsequent fields.

The missing even line in an odd frame will be calculated by interpolation from the corresponding even lines in the even fields before and after. The odd line handling is done in the same way.

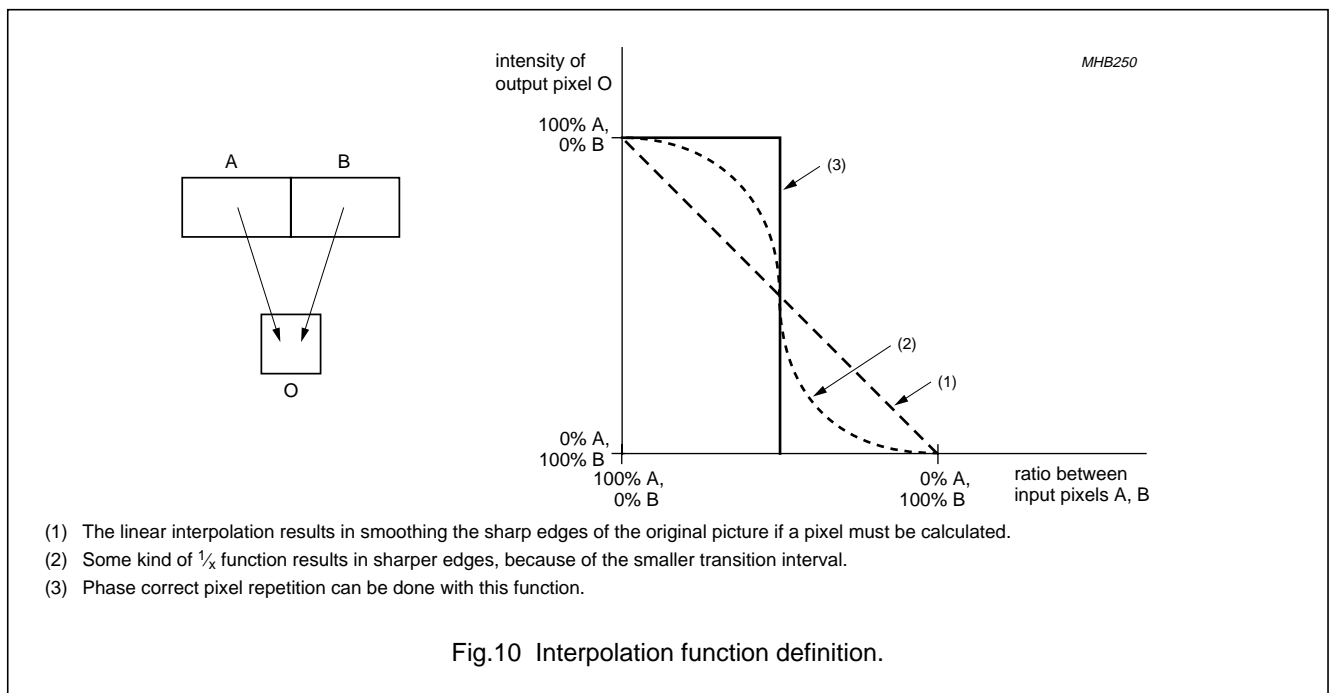
7.9 Scaling algorithm

The SAA6721E features different scaling engines for up and downscaling, for both horizontal and vertical processing. The horizontal scaling engines are independent from each other. The vertical scaling engines share the line buffer, so they cannot operate in parallel.

7.9.1 UPSCALING

The upscaling engine is used for enlarging the incoming video frames. It can be used for zooming both RGB and YUV video data. The magnification can be programmed individually for horizontal and vertical scaling. The maximum scaling factor for both directions is 64.

The implemented filter algorithm (see Fig.10) uses interpolation with pixel enhancement, based on a free programmable transition function. It is therefore possible to define the transition between two calculated pixels to obtain different sharpness characteristics. This transition function must be defined in the 7 bits x 64 look-up table, with a number ranging from 0 to 64. Different functions can be programmed for horizontal and vertical scaling.



SXGA RGB to TFT graphics engine

SAA6721E

7.9.2 DOWNSCALING

The downscaling engine is used for reducing the incoming RGB data stream, i.e. for displaying high resolution input frames on panels with a smaller resolution. The scaling ratio can be programmed independently for both horizontal and vertical downscaling units. The algorithm uses pixel accumulation, achieving a minimum scaling factor of $\frac{1}{64}$.

8 SYSTEM DESCRIPTION

8.1 Programming registers

The SAA6721E is a highly integrated device with many features. To get the desired functionality and performance it must be programmed correctly. In general, before programming, the device must be switched to the internal reset state to prevent unwanted functions while changing the registers.

After writing to all registers the internal reset can be released. There are some registers (mainly offset counters) that can be changed during data processing without an internal reset. All accesses to the on screen display can be done during data processing.

Table 6 I²C-bus device address

MSB							LSB
0	1	1	1	0	1	SAD	R/W

Bit SAD = 0 the address is 74H, while bit SAD = 1 the address is 76H.

Table 7 shows the programming model.

Table 7 Programming register overview

ADDRESS	R/W	D7	D6	D5	D4	D3	D2	D1	D0
State									
0	R	reserved							
1	R	reserved							
2	R/W	iic_test_register[7 to 0]							
3	R								intr
RGB mode detection									
4	R					pos_vsync	pos_hsync	no_vsync	no_hsync
5	R	v_lines[7 to 0]							
6	R						v_lines[10 to 8]		
7	R	h_clocks[7 to 0]							
8	R					h_clocks[11 to 8]			
RGB auto-adjustment									
9	W	ref_line[7 to 0]							
10	W						ref_line[10 to 8]		
11	W	ref_pixel[7 to 0]							
12	W					ref_pixel[11 to 8]			
13	W	ref_colour[7 to 0]							
14	R	ref_pixel_red[7 to 0]							
15	R	ref_pixel_green[7 to 0]							
16	R	ref_pixel_blue[7 to 0]							
17	R	black_lines[7 to 0]							
18	R	black_pixels[7 to 0]							

SXGA RGB to TFT graphics engine

SAA6721E

ADDRESS	R/W	D7	D6	D5	D4	D3	D2	D1	D0
19	R								black_pixels[8]
20	R	non_black_lines[7 to 0]							
21	R						non_black_lines[10 to 8]		
22	R	non_black_pixels[7 to 0]							
23	R					non_black_pixels[11 to 8]			
General configuration									
24	W		intr_clear	single_adc_mode	no_memory_mode	memory_init	reset_input_path	reset_memory_path	reset_proc_path
25	W				yuv_clk_mux	csm_bypass	frc_on	blank_screen	power_down
Clock distribution									
26	W	por_mclk	pre_div_enable	post_div_enable	pre_div_half_clock	post_div_half_clock	pll_enable	pll_pclk	pll_mclk
27	W	pre_div_clock_p_high[3 to 0]				pre_div_clock_p_low[3 to 0]			
28	W	pre_div_clock_n_high[3 to 0]				pre_div_clock_n_low[3 to 0]			
29	W					pre_div_clock_n_offs[3 to 0]			
30	W	post_div_clock_p_high[3 to 0]				post_div_clock_p_low[3 to 0]			
31	W	post_div_clock_n_high[3 to 0]				post_div_clock_n_low[3 to 0]			
32	W					post_div_clock_n_offs[3 to 0]			
Input interface									
33	W	rgb_interl_on	in_form_on	rgb_proc_on	adc_sample_seq	gainc_pol	clamp_pol	vs_pol	hs_pol
34	W		field_reverse	yuv_field_mode [1 and 0]		yuv_input_mode [1 and 0]		yuv_href_pol	yuv_cref_pol
35	W	v_offset[7 to 0]							
36	W						v_offset[10 to 8]		
37	W	h_offset[7 to 0]							
38	W					h_offset[11 to 8]			
39	W	v_length[7 to 0]							
40	W						v_length[10 to 8]		
41	W	h_length[7 to 0]							
42	W					h_length[11 to 8]			
43	W	clamp_on[7 to 0]							
44	W	clamp_off[7 to 0]							
45	W	gainc_on_delay[7 to 0]							
46	W	gainc_off_delay[7 to 0]							

SXGA RGB to TFT graphics engine

SAA6721E

ADDRESS	R/W	D7	D6	D5	D4	D3	D2	D1	D0
Colour correction									
47	W					red_prog	green_prog	blue_prog	colour_correction_on
48	W	colour_index[7 to 0]							
49	W ⁽¹⁾	colour_value[7 to 0]							
Memory interface/de-interlacing unit									
50	W				yuv422_mode	data_width[1 and 0]		deint_mode[1 and 0]	
51	W					burst_seq_length[3 to 0]			
52	W		SDRAM_burst_length_code[2 to 0]			SDRAM_burst_length[3 to 0]			
53	W		CAS_latency[2 to 0]			t_RCD[3 to 0]			
54	W	t_RRD[3 to 0]				t_RP[3 to 0]			
55	W	t_WR[3 to 0]				t_RC[3 to 0]			
56	W	field1_row[7 to 0]							
57	W						field1_row[10 to 8]		
58	W	field1_column[7 to 0]							
59	W	field2_row[7 to 0]							
60	W						field2_row[10 to 8]		
61	W	field2_column[7 to 0]							
62	W	field3_row[7 to 0]							
63	W						field3_row[10 to 8]		
64	W	field3_column[7 to 0]							
65	W	field4_row[7 to 0]							
66	W						field4_row[10 to 8]		
67	W	field4_column[7 to 0]							
68	W	frame_length[7 to 0]							
69	W						frame_length[10 to 8]		
70	W	line_length[7 to 0]							
71	W						line_length[11 to 8]		
72	W	blank_colour_red[7 to 0]							
73	W	blank_colour_green[7 to 0]							
74	W	blank_colour_blue[7 to 0]							
Scaler									
75	W		down_v_scaler_mem	up_v_coeff_prog	up_h_coeff_prog	up_v_scaler_on	up_h_scaler_on	down_v_scaler_on	down_h_scaler_on
76	W	up_v_incr[7 to 0]							
77	W					up_v_incr[11 to 8]			
78	W		up_v_corr[6 to 0]						
79	W	up_h_incr[7 to 0]							

SXGA RGB to TFT graphics engine

SAA6721E

ADDRESS	R/W	D7	D6	D5	D4	D3	D2	D1	D0	
80	W					up_h_incr[11 to 8]				
81	W		up_h_corr[6 to 0]							
82	W			down_v_incr[5 to 0]						
83	W		down_v_corr[6 to 0]							
84	W			down_h_incr[5 to 0]						
85	W		down_h_corr[6 to 0]							
86	W			coeff_index[5 to 0]						
87	W ⁽¹⁾		coeff_value[6 to 0]							
Panning unit										
88	W	pic_v_offset[7 to 0]								
89	W						pic_v_offset[10 to 8]			
90	W	pic_h_offset[7 to 0]								
91	W					pic_h_offset[11 to 8]				
92	W	out_v_size[7 to 0]								
93	W						out_v_size[10 to 8]			
94	W	out_h_size[7 to 1]								0
95	W					out_h_size[11 to 8]				
96	W	border_colour_red[7 to 0]								
97	W	border_colour_green[7 to 0]								
98	W	border_colour_blue[7 to 0]								
OSD overlay port										
99	W	ovl_clk_ pol	ovl_act_ pol	ovl_vs_ pol	ovl_hs_ pol	clk_ gating_on	sample_ edge	ovl_ syncs_ active	ovl_ insert_ active	
100	W	ovl_hs_start[7 to 0]								
101	W						ovl_hs_start[10 to 8]			
102	W	ovl_hs_length[7 to 0]								
103	W						ovl_hs_length[10 to 8]			
104	W	ovl_hs_latency[7 to 0]								
105	W	ovl_h_length[7 to 0]								
106	W						ovl_h_length[10 to 8]			
107	W	ovl_v_offset[7 to 0]								
108	W						ovl_v_offset[10 to 8]			
109	W	ovl_v_length[7 to 0]								
110	W						ovl_v_length[10 to 8]			
111	W	ovl_vs_start[7 to 0]								
112	W						ovl_vs_start[10 to 8]			
113	W	ovl_colour0_red[7 to 0]								
114	W	ovl_colour0_green[7 to 0]								
115	W	ovl_colour0_blue[7 to 0]								

SXGA RGB to TFT graphics engine

SAA6721E

ADDRESS	R/W	D7	D6	D5	D4	D3	D2	D1	D0
116	W	ovl_colour1_red[7 to 0]							
117	W	ovl_colour1_green[7 to 0]							
118	W	ovl_colour1_blue[7 to 0]							
119	W	ovl_colour2_red[7 to 0]							
120	W	ovl_colour2_green[7 to 0]							
121	W	ovl_colour2_blue[7 to 0]							
122	W	ovl_colour3_red[7 to 0]							
123	W	ovl_colour3_green[7 to 0]							
124	W	ovl_colour3_blue[7 to 0]							
125	W	ovl_colour4_red[7 to 0]							
126	W	ovl_colour4_green[7 to 0]							
127	W	ovl_colour4_blue[7 to 0]							
128	W	ovl_colour5_red[7 to 0]							
129	W	ovl_colour5_green[7 to 0]							
130	W	ovl_colour5_blue[7 to 0]							
131	W	ovl_colour6_red[7 to 0]							
132	W	ovl_colour6_green[7 to 0]							
133	W	ovl_colour6_blue[7 to 0]							
134	W	ovl_colour7_red[7 to 0]							
135	W	ovl_colour7_green[7 to 0]							
136	W	ovl_colour7_blue[7 to 0]							
On screen display									
137	W						zoom2	char_size	osd_active
138	W	osd_v_offset[7 to 0]							
139	W						osd_v_offset[10 to 8]		
140	W	osd_h_offset[7 to 0]							
141	W					osd_h_offset[11 to 8]			
142	W			osd_v_size[5 to 0]					
143	W			osd_h_size[5 to 0]					
144	W	osd_fg_colour0_red[7 to 0]							
145	W	osd_fg_colour0_green[7 to 0]							
146	W	osd_fg_colour0_blue[7 to 0]							
147	W	osd_fg_colour1_red[7 to 0]							
148	W	osd_fg_colour1_green[7 to 0]							
149	W	osd_fg_colour1_blue[7 to 0]							
150	W	osd_fg_colour2_red[7 to 0]							
151	W	osd_fg_colour2_green[7 to 0]							
152	W	osd_fg_colour2_blue[7 to 0]							
153	W	osd_fg_colour3_red[7 to 0]							

SXGA RGB to TFT graphics engine

SAA6721E

ADDRESS	R/W	D7	D6	D5	D4	D3	D2	D1	D0
154	W	osd_fg_colour3_green[7 to 0]							
155	W	osd_fg_colour3_blue[7 to 0]							
156	W	osd_fg_colour4_red[7 to 0]							
157	W	osd_fg_colour4_green[7 to 0]							
158	W	osd_fg_colour4_blue[7 to 0]							
159	W	osd_fg_colour5_red[7 to 0]							
160	W	osd_fg_colour5_green[7 to 0]							
161	W	osd_fg_colour5_blue[7 to 0]							
162	W	osd_fg_colour6_red[7 to 0]							
163	W	osd_fg_colour6_green[7 to 0]							
164	W	osd_fg_colour6_blue[7 to 0]							
165	W	osd_fg_colour7_red[7 to 0]							
166	W	osd_fg_colour7_green[7 to 0]							
167	W	osd_fg_colour7_blue[7 to 0]							
168	W	osd_bg_colour0_red[7 to 0]							
169	W	osd_bg_colour0_green[7 to 0]							
170	W	osd_bg_colour0_blue[7 to 0]							
171	W	osd_bg_colour1_red[7 to 0]							
172	W	osd_bg_colour1_green[7 to 0]							
173	W	osd_bg_colour1_blue[7 to 0]							
174	W	osd_bg_colour2_red[7 to 0]							
175	W	osd_bg_colour2_green[7 to 0]							
176	W	osd_bg_colour2_blue[7 to 0]							
177	W	osd_bg_colour3_red[7 to 0]							
178	W	osd_bg_colour3_green[7 to 0]							
179	W	osd_bg_colour3_blue[7 to 0]							
180	W	osd_bg_colour4_red[7 to 0]							
181	W	osd_bg_colour4_green[7 to 0]							
182	W	osd_bg_colour4_blue[7 to 0]							
183	W	osd_bg_colour5_red[7 to 0]							
184	W	osd_bg_colour5_green[7 to 0]							
185	W	osd_bg_colour5_blue[7 to 0]							
186	W	osd_bg_colour6_red[7 to 0]							
187	W	osd_bg_colour6_green[7 to 0]							
188	W	osd_bg_colour6_blue[7 to 0]							
189	W	osd_bg_colour7_red[7 to 0]							
190	W	osd_bg_colour7_green[7 to 0]							
191	W	osd_bg_colour7_blue[7 to 0]							
192	W	osd_fg_colour7_transp	osd_fg_colour6_transp	osd_fg_colour5_transp	osd_fg_colour4_transp	osd_fg_colour3_transp	osd_fg_colour2_transp	osd_fg_colour1_transp	osd_fg_colour0_transp

SXGA RGB to TFT graphics engine

SAA6721E

ADDRESS	R/W	D7	D6	D5	D4	D3	D2	D1	D0
193	W	osd_fg_colour7_alpha	osd_fg_colour6_alpha	osd_fg_colour5_alpha	osd_fg_colour4_alpha	osd_fg_colour3_alpha	osd_fg_colour2_alpha	osd_fg_colour1_alpha	osd_fg_colour0_alpha
194	W	osd_bg_colour7_transp	osd_bg_colour6_transp	osd_bg_colour5_transp	osd_bg_colour4_transp	osd_bg_colour3_transp	osd_bg_colour2_transp	osd_bg_colour1_transp	osd_bg_colour0_transp
195	W	osd_bg_colour7_alpha	osd_bg_colour6_alpha	osd_bg_colour5_alpha	osd_bg_colour4_alpha	osd_bg_colour3_alpha	osd_bg_colour2_alpha	osd_bg_colour1_alpha	osd_bg_colour0_alpha
On screen display window									
196	W			cursor_row[5 to 0]					
197	W			cursor_column[5 to 0]					
198	W	char_appearance [1 and 0]		char_bg_colour[2 to 0]			char_fg_colour[2 to 0]		
199	W ⁽¹⁾		char_code[6 to 0]						
On screen display character matrix									
200	W		char_code[6 to 0]						
201	W ⁽¹⁾	char_def[7 to 0]							
TFT display interface									
202	W				vsync_pol	hsync_pol	de_pol	clk_pol	single_pixel_output
203	W	line_sync	sync_de_act	out_if_enable	blank_tft	sync_mode	blank_ctrl	border_ctrl	active_ctrl
204	W	h_len_blank[7 to 0]							
205	W						h_len_blank[10 to 8]		
206	W	h_len_border[7 to 0]							
207	W						h_len_border[10 to 8]		
208	W	h_len_active[7 to 0]							
209	W						h_len_active[10 to 8]		
210	W	v_end[7 to 0]							
211	W						v_end[10 to 8]		
212	W	v_start[7 to 0]							
213	W						v_start[10 to 8]		
214	W	v_active[7 to 0]							
215	W						v_active[10 to 8]		
216	W	h_vs_start[7 to 0]							
217	W						h_vs_start[10 to 8]		
218	W	h_vs_end[7 to 0]							
219	W						h_vs_end[10 to 8]		
220	W	h_hs_start[7 to 0]							
221	W						h_hs_start[10 to 8]		

SXGA RGB to TFT graphics engine

SAA6721E

ADDRESS	R/W	D7	D6	D5	D4	D3	D2	D1	D0
222	W	h_hs_end[7 to 0]							
223	W						h_hs_end[10 to 8]		
224	W	h_de_start[7 to 0]							
225	W						h_de_start[10 to 8]		
226	W	h_de_end[7 to 0]							
227	W						h_de_end[10 to 8]		
228	W	h_active_start[7 to 0]							
229	W						h_active_start[10 to 8]		
230	W	v_vs_end[7 to 0]							
231	W						v_vs_end[10 to 8]		
232	W	h_max_len[7 to 0]							
233	W						h_max_len[10 to 8]		

Note

1. Register does not work with register address auto-increment, but with incrementing the address on which the operation is performed.

Table 8 Detailed description of programming registers

NAME	SUBADDRESS	R/W	DATA
State			
IIC TEST REGISTER			
IIC test register	2	R/W	D7 to D0
STATE REGISTER			
Interrupt state	3	R	D0
Interrupt active			logic 0
Interrupt not active			logic 1
RGB mode detection			
SYNC DETECT REGISTER			
Hsync presence	4	R	D0
Hsync present			logic 0
Hsync not present			logic 1
Vsync presence			D1
Vsync present			logic 0
Vsync not present			logic 1
Hsync polarity			D2
Negative Hsync			logic 0
Positive Hsync			logic 1
Vsync polarity			D3
Negative Vsync			logic 0
Positive Vsync			logic 1

SXGA RGB to TFT graphics engine

SAA6721E

NAME	SUBADDRESS	R/W	DATA
VERTICAL FRAME RESOLUTION			
Number of lines between two Vsycns	5 and 6	R	D10 to D0
HORIZONTAL FRAME RESOLUTION			
Number of clocks between two Hsycns	7 and 8	R	D11 to D0
RGB auto adjustment			
REFERENCE LINE POSITION			
Reference line for auto adjustment measurements	9 and 10	W	D10 to D0
REFERENCE PIXEL POSITION			
Reference pixel for auto adjustment measurements	11 and 12	W	D11 to D0
REFERENCE COLOUR			
Colour for selecting black or non-black pixels	13	W	D7 to D0
REFERENCE PIXEL COLOUR RED COMPONENT			
Red colour component of reference pixel	14	R	D7 to D0
REFERENCE PIXEL COLOUR GREEN COMPONENT			
Green colour component of reference pixel	15	R	D7 to D0
REFERENCE PIXEL COLOUR BLUE COMPONENT			
Blue colour component of reference pixel	16	R	D7 to D0
BLACK LINES COUNTER			
Number of black lines after Vsync	17	R	D7 to D0
BLACK PIXELS COUNTER			
Number of black pixels after Hsync	18 and 19	R	D8 to D0
NON-BLACK LINES COUNTER			
Number of non-black lines after Vsync	20 and 21	R	D10 to D0
NON-BLACK PIXELS COUNTER			
Number of non-black pixels after Hsync	22 and 23	R	D11 to D0

SXGA RGB to TFT graphics engine

SAA6721E

NAME	SUBADDRESS	R/W	DATA
General configuration			
CONFIGURATION REGISTER 1			
Processing reset state Processing path not in reset state Processing path in reset state	24	W	D0 logic 0 logic 1
Memory reset state Memory path not in reset state Memory path in reset state			D1 logic 0 logic 1
Input reset state Input path not in reset state Input path in reset state			D2 logic 0 logic 1
External memory initialization No external memory initialization Start external memory initialization			D3 logic 0 logic 1
External memory configuration External memory present No external memory present			D4 logic 0 logic 1
External ADC configuration 2 ADCs connected 1 ADC connected			D5 logic 0 logic 1
Interrupt acknowledge No acknowledge Reset interrupt output to logic 1			D6 logic 0 logic 1
CONFIGURATION REGISTER 2			
Output interface Power-down mode Normal processing All outputs of output interface at LOW level	25	W	D0 logic 0 logic 1
Blank screen Normal data processing Blank screen generation after memory interface			D1 logic 0 logic 1
Output temporal dithering No temporal dithering of output data stream Temporal dithering of output data			D2 logic 0 logic 1
Colour space conversion matrix Conversion YUV to RGB enabled Straight RGB processing enabled			D3 logic 0 logic 1
YUV processing clock multiplexer Clock will be applied at pin VCLK Clock will be applied at pin MCLKI			D4 logic 0 logic 1

SXGA RGB to TFT graphics engine

SAA6721E

NAME	SUBADDRESS	R/W	DATA
Clock distribution			
CLOCK MULTIPLEXING			
Memory clock generation Memory clock is taken from pin MCLKI Memory clock is $\frac{1}{2}$ PLL clock	26	W	D0 logic 0 logic 1
Panel clock generation Panel clock is equal system clock Panel clock is generated by PLL clock and post-divider			D1 logic 0 logic 1
PLL activation PLL disabled PLL enabled			D2 logic 0 logic 1
PLL post-divider precision $\frac{1}{2}$ clock precision disabled $\frac{1}{2}$ clock precision enabled			D3 logic 0 logic 1
PLL pre-divider precision $\frac{1}{2}$ clock precision disabled $\frac{1}{2}$ clock precision enabled			D4 logic 0 logic 1
PLL post-divider activation PLL post-divider disabled PLL post-divider enabled			D5 logic 0 logic 1
PLL pre-divider activation PLL pre-divider disabled PLL pre-divider enabled			D6 logic 0 logic 1
External memory clock multiplexer Enable memory clock Use system clock as external memory clock			D7 logic 0 logic 1
PRE-DIVIDER P-COUNTER			
Pre-divider p-counter programming	27	W	D7 to D0
PRE-DIVIDER N-COUNTER			
Pre-divider n-counter programming	28	W	D7 to D0
PRE-DIVIDER N-OFFSET			
Pre-divider n-counter offset programming	29	W	D3 to D0
POST-DIVIDER P-COUNTER			
Post-divider p-counter programming	30	W	D7 to D0
POST-DIVIDER N-COUNTER			
Post-divider n-counter programming	31	W	D7 to D0
POST-DIVIDER N-OFFSET			
Post-divider n-counter offset programming	32	W	D3 to D0

SXGA RGB to TFT graphics engine

SAA6721E

NAME	SUBADDRESS	R/W	DATA
Input interface			
GENERAL PROGRAMMING			
Hsync polarity Hsync is active LOW, line starts at rising edge of pin VHS Hsync is active HIGH, line starts at falling edge of pin VHS	33	W	D0 logic 0 logic 1
Vsync polarity Vsync is active LOW, line starts at rising edge of pin VVS Vsync is active HIGH, line starts at falling edge of pin VVS			D1 logic 0 logic 1
Clamp pulse polarity Pulse is active LOW Pulse is active HIGH			D2 logic 0 logic 1
Gain correction pulse polarity Pulse is active LOW Pulse is active HIGH			D3 logic 0 logic 1
ADC sample sequence ADC 0 is sampled first after Hsync (video input port A, B, C) ADC 1 is sampled first after Hsync (video input port D, E, F)			D4 logic 0 logic 1
RGB/YUV processing mode YUV processing enabled RGB processing enabled			D5 logic 0 logic 1
Input interface activation No data sampling Data sampling enabled			D6 logic 0 logic 1
Interlaced RGB mode Non-interlaced RGB processing Interlaced RGB processing			D7 logic 0 logic 1

SXGA RGB to TFT graphics engine

SAA6721E

NAME	SUBADDRESS	R/W	DATA
INTERLACED MODE PROGRAMMING			
YUV CREF polarity YUV clock qualifier is active LOW YUV clock qualifier is active HIGH	34	W	D0 logic 0 logic 1
YUV HREF polarity Active data qualifier is active LOW Active data qualifier is active HIGH			D1 logic 0 logic 1
YUV format CCIR 656 4 : 1 : 1 format 4 : 2 : 2 format 4 : 4 : 4 format			D3 and D2 D3 = 0 and D2 = 0 D3 = 0 and D2 = 1 D3 = 1 and D2 = 0 D3 = 1 and D2 = 1
YUV field sampling mode All incoming frames are captured Capture alternating fields only Capture odd fields only Capture even fields only			D5 and D4 D5 = 0 and D4 = 0 D5 = 0 and D4 = 1 D5 = 1 and D4 = 0 D5 = 1 and D4 = 1
Field reverse flag Keep original odd field identification Change field identification			D6 logic 0 logic 1
VERTICAL SAMPLE OFFSET			
Vertical sample offset from Vsync	35 and 36	W	D10 to D0
HORIZONTAL SAMPLE OFFSET			
Horizontal sample offset from Hsync	37 and 38	W	D11 to D0
VERTICAL SAMPLE LENGTH			
Vertical sample window length	39 and 40	W	D10 to D0
HORIZONTAL SAMPLE LENGTH			
Horizontal sample window length	41 and 42	W	D11 to D0
CLAMP PULSE START			
Start of clamp pulse after active edge of Hsync	43	W	D7 to D0
CLAMP PULSE END			
End of clamp pulse after active edge of Hsync	44	W	D7 to D0
GAIN CORRECTION PULSE START DELAY			
Delay of start of GAINC pulse from first edge of Hsync	45	W	D7 to D0
GAIN CORRECTION PULSE END DELAY			
Delay of end of pulse GAINC from second edge of Hsync	46	W	D7 to D0

SXGA RGB to TFT graphics engine

SAA6721E

NAME	SUBADDRESS	R/W	DATA
Colour correction			
PROGRAMMING SELECTOR, ACTIVATION			
Colour correction activation Straight colour processing Colour substitution enabled	47	W	D0 logic 0 logic 1
Blue component programming Red component correction colour writing disabled Red component correction colour writing enabled			D1 logic 0 logic 1
Green component programming Red component correction colour writing disabled Red component correction colour writing enabled			D2 logic 0 logic 1
Red component programming Red component correction colour writing disabled Red component correction colour writing enabled			D3 logic 0 logic 1
COLOUR INDEX FOR LOOK-UP TABLE WRITING			
Colour component look-up table index	48	W	D7 to D0
COLOUR VALUE FOR LOOK-UP TABLE WRITING			
Colour component substitution value	49	W	D7 to D0
Memory interface/de-interlacing unit			
GENERAL CONFIGURATION			
De-interlacing mode No de-interlacing De-interlacing without filtering De-interlacing with spatial filtering De-interlacing with temporal filtering	50	W	D1 and D0 D1 = 0 and D0 = 0 D1 = 0 and D0 = 1 D1 = 1 and D0 = 0 D1 = 1 and D0 = 1
External memory data bus width 32 bits (two 16-bit channels) 48 bits (three 16-bit channels) 64 bits (four 16-bit channels) do not use			D3 and D2 D3 = 0 and D2 = 0 D3 = 0 and D2 = 1 D3 = 1 and D2 = 0 D3 = 1 and D2 = 1
Internal data path width RGB and YUV 4 : 4 : 4 processing YUV 4 : 2 : 2, YUV 4 : 1 : 1 and CCIR 656 processing			D4 logic 0 logic 1
ACCESS BURST LENGTH			
Number of bursts per read/write access to SDRAM	51	W	D3 to D0
SDRAM BURST LENGTH			
SDRAM burst length	52	W	D3 to D0
SDRAM initialization code for burst length			D6 to D4

SXGA RGB to TFT graphics engine

SAA6721E

NAME	SUBADDRESS	R/W	DATA
SDRAM TIMING PARAMETER 1; SEE TABLE 14			
Active to read or write delay (t_{RCD}) in clocks	53	W	D3 to D0
CAS latency (CL) in clocks			D6 to D4
SDRAM TIMING PARAMETER 2; SEE TABLE 14			
Precharge command period (t_{RP}) in clocks	54	W	D3 to D0
Active bank A to active band B command (t_{RRD}) in clocks			D7 to D4
SDRAM TIMING PARAMETER 3; SEE TABLE 14			
Auto refresh, active command period (t_{RC}) in clocks	55	W	D3 to D0
Write recovery time (t_{WR}) in clocks			D7 to D4
FIELD 1 START ADDRESS (ROW)			
Start address of field 1 in external SDRAM memory (row)	56 and 57	W	D10 to D0
FIELD 1 START ADDRESS (COLUMN)			
Start address of field 1 in external SDRAM memory (column)	58	W	D7 to D0
FIELD 2 START ADDRESS (ROW)			
Start address of field 2 in external SDRAM memory (row)	59 and 60	W	D10 to D0
FIELD 2 START ADDRESS (COLUMN)			
Start address of field 2 in external SDRAM memory (column)	61	W	D7 to D0
FIELD 3 START ADDRESS (ROW)			
Start address of field 3 in external SDRAM memory (row)	62 and 63	W	D10 to D0
FIELD 3 START ADDRESS (COLUMN)			
Start address of field 3 in external SDRAM memory (column)	64	W	D7 to D0
FIELD 4 START ADDRESS (ROW)			
Start address of field 4 in external SDRAM memory (row)	65 and 66	W	D10 to D0
FIELD 4 START ADDRESS (COLUMN)			
Start address of field 4 in external SDRAM memory (column)	67	W	D7 to D0
OUTPUT FRAME LENGTH			
Vertical length of output frame after de-interlacing unit	68 and 69	W	D10 to D0
OUTPUT LINE LENGTH			
Horizontal length of output frame after de-interlacing unit	70 and 71	W	D11 to D0
BLANK COLOUR RED COMPONENT DEFINITION			
Red colour component for blank screen generation	72	W	D7 to D0
BLANK COLOUR GREEN COMPONENT DEFINITION			
Green colour component for blank screen generation	73	W	D7 to D0
BLANK COLOUR BLUE COMPONENT DEFINITION			
Blue colour component for blank screen generation	74	W	D7 to D0

SXGA RGB to TFT graphics engine

SAA6721E

NAME	SUBADDRESS	R/W	DATA
Scaler			
SCALER CONFIGURATION			
Horizontal downscaler activation Horizontal downscaler disabled Horizontal downscaler enabled	75	W	D0 logic 0 logic 1
Vertical downscaler activation Vertical downscaler disabled Vertical downscaler enabled			D1 logic 0 logic 1
Horizontal upscaler activation Horizontal upscaler disabled Horizontal upscaler enabled			D2 logic 0 logic 1
Vertical upscaler activation Vertical upscaler disabled Vertical upscaler enabled			D3 logic 0 logic 1
Horizontal upscaling transition function programming Horizontal upscaling transition function writing disabled Horizontal upscaling transition function writing enabled			D4 logic 0 logic 1
Vertical upscaling transition function programming Vertical upscaling transition function writing disabled Vertical upscaling transition function writing enabled			D5 logic 0 logic 1
Line memory usage Line memory used by upscaling unit Line memory used by downscaling unit			D6 logic 0 logic 1
VERTICAL UPSCALE INCREMENT			
Increment for vertical upscaling	76 and 77	W	D11 to D0
VERTICAL UPSCALE CORRECTION			
Fraction of vertical upscaling increment ($1/100$)	78	W	D6 to D0
HORIZONTAL UPSCALE INCREMENT			
Increment for horizontal upscaling	79 and 80	W	D11 to D0
HORIZONTAL UPSCALE CORRECTION			
Fraction of horizontal upscaling increment ($1/100$)	81	W	D6 to D0
VERTICAL DOWNSCALE INCREMENT			
Increment for vertical downscaling	82	W	D5 to D0
VERTICAL DOWNSCALE CORRECTION			
Fraction of vertical downscaling increment ($1/100$)	83	W	D6 to D0
HORIZONTAL DOWNSCALE INCREMENT			
Increment for horizontal downscaling	84	W	D5 to D0

SXGA RGB to TFT graphics engine

SAA6721E

NAME	SUBADDRESS	R/W	DATA
HORIZONTAL DOWNSCALE CORRECTION			
Fraction of horizontal downscaling increment ($\frac{1}{100}$)	85	W	D6 to D0
INDEX FOR COEFFICIENT TABLE WRITING			
Transition function look-up table index	86	W	D5 to D0
COEFFICIENT VALUE FOR LOOK-UP TABLE WRITING			
Values of transition function	87	W	D6 to D0
Panning unit			
VERTICAL PICTURE OFFSET			
Vertical input picture offset inside the output frame	88 and 89	W	D10 to D0
HORIZONTAL PICTURE OFFSET			
Horizontal input picture offset inside the output frame	90 and 91	W	D11 to D0
VERTICAL OUTPUT FRAME LENGTH			
Vertical output frame length	92 and 93	W	D10 to D0
HORIZONTAL OUTPUT FRAME LENGTH			
Horizontal output frame length	94 and 95	W	D11 to D0
BORDER COLOUR RED COMPONENT DEFINITION			
Red colour component for border generation	96	W	D7 to D0
BORDER COLOUR GREEN COMPONENT DEFINITION			
Green colour component for border generation	97	W	D7 to D0
BORDER COLOUR BLUE COMPONENT DEFINITION			
Blue colour component for border generation	98	W	D7 to D0

SXGA RGB to TFT graphics engine

SAA6721E

NAME	SUBADDRESS	R/W	DATA
OSD overlay port			
GENERAL CONFIGURATION			
OSD overlay port activation Overlay information will not be inserted into data stream Overlay information will be inserted into data stream	99	W	D0 logic 0 logic 1
Sync pulse generation No sync pulses will be generated Sync pulses will be generated			D1 logic 0 logic 1
Clock edge for sampling Data sampling at falling edge of clock at pin OVCLK Data sampling at rising edge of clock at pin OVCLK			D2 logic 0 logic 1
Clock gating OVCLK always enabled OVCLK enabled only during internal active video processing			D3 logic 0 logic 1
Horizontal sync polarity Active LOW horizontal sync pulse at pin OVHS Active HIGH horizontal sync pulse at pin OVHS			D4 logic 0 logic 1
Vertical sync polarity Active LOW vertical sync pulse at pin OVVS Active HIGH vertical sync pulse at pin OVVS			D5 logic 0 logic 1
Overlay port active pixel qualifier polarity Active LOW qualifier signal at pin OVACT Active HIGH qualifier signal at pin OVACT			D6 logic 0 logic 1
Overlay port clock polarity Sync pulse change with respect to falling edge at pin OVCLK Sync pulse change with respect to rising edge at pin OVCLK			D7 logic 0 logic 1
OVERLAY HORIZONTAL SYNC START			
Start of horizontal sync pulse with respect to left frame border	100 and 101	W	D10 to D0
OVERLAY HORIZONTAL SYNC LENGTH			
Length of horizontal sync pulse	102 and 103	W	D10 to D0
OVERLAY HORIZONTAL SYNC LATENCY			
Delay between start of horizontal sync and valid overlay data	104	W	D7 to D0
OVERLAY WINDOW HORIZONTAL LENGTH			
Horizontal length of overlay region	105 and 106	W	D10 to D0
OVERLAY WINDOW VERTICAL OFFSET			
Vertical offset of overlay region	107 and 108	W	D10 to D0
OVERLAY WINDOW VERTICAL LENGTH			
Vertical length of overlay region	109 and 110	W	D10 to D0

SXGA RGB to TFT graphics engine

SAA6721E

NAME	SUBADDRESS	R/W	DATA
OVERLAY VERTICAL SYNC START			
Start of vertical sync pulse with respect to top frame border	111 and 112	W	D10 to D0
COLOUR 0 TO 7 RED COMPONENT DEFINITION			
Red colour component for overlay colour 0 to 7	113, 116, 119, 122, 125, 128, 131 and 134	W	D7 to D0
COLOUR 0 TO 7 GREEN COMPONENT DEFINITION			
Green colour component for overlay colour 0 to 7	114, 117, 120, 123, 126, 129, 132 and 135	W	D7 to D0
COLOUR 0 TO 7 BLUE COMPONENT DEFINITION			
Blue colour component for overlay colour 0 to 7	115, 118, 121, 124, 127, 130, 133 and 136	W	D7 to D0
On screen display			
GENERAL CONFIGURATION			
OSD activation OSD is not visible OSD is visible	137	W	D0 logic 0 logic 1
OSD character size 12 × 16 character matrix 24 × 24 character matrix			D1 logic 0 logic 1
OSD zoom No zooming of OSD window Zoom by 2 of OSD window			D2 logic 0 logic 1
OSD WINDOW VERTICAL OFFSET			
Vertical offset of OSD window from left frame border in pixel	138 and 139	W	D10 to D0
OSD WINDOW HORIZONTAL OFFSET			
Horizontal offset of OSD window from top frame border in pixel	140 and 141	W	D11 to D0
OSD WINDOW VERTICAL SIZE			
Vertical size of OSD window in characters	142	W	D5 to D0
OSD WINDOW HORIZONTAL SIZE			
Horizontal size of OSD window in characters	143	W	D5 to D0
FOREGROUND COLOUR 0 TO 7 RED COMPONENT DEFINITION			
Red colour component for foreground colour 0 to 7	144, 147, 150, 153, 156, 159, 162 and 165	W	D7 to D0

SXGA RGB to TFT graphics engine

SAA6721E

NAME	SUBADDRESS	R/W	DATA
FOREGROUND COLOUR 0 TO 7 GREEN COMPONENT DEFINITION			
Green colour component for foreground colour 0 to 7	145, 148, 151, 154, 157, 160, 163 and 166	W	D7 to D0
FOREGROUND COLOUR 0 TO 7 BLUE COMPONENT DEFINITION			
Blue colour component for foreground colour 0 to 7	146, 149, 152, 155, 158, 161, 164 and 167	W	D7 to D0
BACKGROUND COLOUR 0 TO 7 RED COMPONENT DEFINITION			
Red colour component for background colour 0 to 7	168, 171, 174, 177, 180, 183, 186 and 189	W	D7 to D0
BACKGROUND COLOUR 0 TO 7 GREEN COMPONENT DEFINITION			
Green colour component for background colour 0 to 7	169, 172, 175, 178, 181, 184, 187 and 190	W	D7 to D0
BACKGROUND COLOUR 0 TO 7 BLUE COMPONENT DEFINITION			
Blue colour component for background colour 0 to 7	170, 173, 176, 179, 182, 185, 188 and 191	W	D7 to D0
FOREGROUND TRANSPARENT COLOUR DEFINITION			
Foreground colour transparency Foreground colour is not transparent Foreground colour is transparent	192	W	D7 to D0 logic 0 logic 1
FOREGROUND ALPHA BLENDING COLOUR DEFINITION			
Foreground colour alpha blending Foreground colour is not alpha blendable Foreground colour is alpha blendable	193	W	D7 to D0 logic 0 logic 1
BACKGROUND TRANSPARENT COLOUR DEFINITION			
Background colour transparency Background colour is not transparent Background colour is transparent	194	W	D7 to D0 logic 0 logic 1
BACKGROUND ALPHA BLENDING COLOUR DEFINITION			
Background colour alpha blending Background colour is not alpha blendable Background colour is alpha blendable	195	W	D7 to D0 logic 0 logic 1

SXGA RGB to TFT graphics engine

SAA6721E

NAME	SUBADDRESS	R/W	DATA
On screen display window			
CURSOR POSITION 1			
Cursor row	196	W	D5 to D0
CURSOR POSITION 2			
Cursor column	197	W	D5 to D0
CHARACTER APPEARANCE			
Foreground colour code	198	W	D2 to D0
Background colour code			D5 to D3
Character appearance Picture information will be overwritten by OSD data Transparency of OSD transparent colours 1 : 1 alpha blending of OSD alpha colours 1 : 2 alpha blending of OSD alpha colours			D7 and D6 D7 = 0 and D6 = 0 D7 = 0 and D6 = 1 D7 = 1 and D6 = 0 D7 = 1 and D6 = 1
CHARACTER CODE			
Code of character to be placed at cursor position	199	W	D6 to D0
On screen display character matrix			
CHARACTER CODE			
Code of character to be defined	200	W	D6 to D0
CHARACTER PATTERN			
Character definition pattern	201	W	D7 to D0
TFT display interface			
GENERAL CONFIGURATION 1			
Output width Double pixel output (48 bits) Single pixel output (24 bits)	202	W	D0 logic 0 logic 1
Output clock polarity Data output with respect to falling edge of pin PCLK Data output with respect to rising edge of pin PCLK			D1 logic 0 logic 1
Data qualifier polarity Active LOW pin PDE Active HIGH pin PDE			D2 logic 0 logic 1
Horizontal sync polarity Active LOW horizontal sync at pin PHS Active HIGH horizontal sync at pin PHS			D3 logic 0 logic 1
Vertical sync polarity Active LOW vertical sync at pin PVS Active HIGH vertical sync at pin PVS			D4 logic 0 logic 1

SXGA RGB to TFT graphics engine

SAA6721E

NAME	SUBADDRESS	R/W	DATA
GENERAL CONFIGURATION 2			
Line length controlling in active video region Line length controlling disabled Line length controlling enabled	203	W	D0 logic 0 logic 1
Line length controlling in border region Line length controlling disabled Line length controlling enabled			D1 logic 0 logic 1
Line length controlling in top blanking region Line length controlling disabled Line length controlling enabled			D2 logic 0 logic 1
Output interface mode Free running output interface timing (external SDRAM required) Synchronous output interface timing (without external SDRAM)			D3 logic 0 logic 1
Blanking mode Normal operating mode All data outputs are at LOW level (black colour)			D4 logic 0 logic 1
Output interface enabling Output interface disabled, no data processing Output interface enabled, normal data processing			D5 logic 0 logic 1
Data qualifier generation mode Disable pulse generation at pin PDE during vertical syncs Enable pulse generation at pin PDE during vertical syncs			D6 logic 0 logic 1
Line synchronization Normal mode Do not use			D7 logic 0 logic 1
HORIZONTAL LINE LENGTH IN BLANKING REGION			
Horizontal line length in blanking region	204 and 205	W	D10 to D0
HORIZONTAL LINE LENGTH IN BORDER REGION			
Horizontal line length in border region	206 and 207	W	D10 to D0
HORIZONTAL LINE LENGTH IN ACTIVE VIDEO REGION			
Horizontal line length in active video region	208 and 209	W	D10 to D0
VERTICAL FRAME END			
Vertical frame length	210 and 211	W	D10 to D0
VERTICAL BORDER REGION START			
Vertical start of border region	212 and 213	W	D10 to D0
VERTICAL ACTIVE VIDEO REGION START			
Vertical start of active video region	214 and 215	W	D10 to D0
HORIZONTAL DELAY OF START OF VERTICAL SYNC			
Horizontal start delay of vertical sync pulse at pin PVS	216 and 217	W	D10 to D0

SXGA RGB to TFT graphics engine

SAA6721E

NAME	SUBADDRESS	R/W	DATA
HORIZONTAL DELAY OF END OF VERTICAL SYNC			
Horizontal end delay of vertical sync pulse at pin PVS	218 and 219	W	D10 to D0
HORIZONTAL SYNC PULSE START			
Start of horizontal sync pulse at pin PHS	220 and 221	W	D10 to D0
HORIZONTAL SYNC PULSE END			
End of horizontal sync pulse at pin PHS	222 and 223	W	D10 to D0
DATA QUALIFIER START			
Start of border region and horizontal data qualifier at pin PDE	224 and 225	W	D10 to D0
DATA QUALIFIER END			
End of border region and horizontal data qualifier at pin PDE	226 and 227	W	D10 to D0
HORIZONTAL ACTIVE REGION START			
Start of horizontal active video region	228 and 229	W	D10 to D0
VERTICAL SYNC PULSE END			
Vertical sync pulse end at pin PVS	230 and 231	W	D10 to D0
MAXIMUM HORIZONTAL LINE LENGTH			
Maximum reachable line length for length controlling	232 and 233	W	D10 to D0

8.2 Clock management

8.2.1 CLOCK GENERATION AND MULTIPLEXING

For normal operation the SAA6721E uses two clock inputs; pin VCLK and pin CLK. VCLK is used as the sample clock provided by the external ADCs or decoder. The frequency and the sample edges of this clock depend on the number of ADCs connected, or on the video dot clock:

- 1 ADC mode: maximum VCLK frequency is 150 MHz
- 2 ADC mode: maximum VCLK frequency is 75 MHz.

The clock from pin CLK is used as an internal reference, and it is the source clock for the internal PLL. The memory clock MCLKO and panel clock PCLK are derived from the PLL (see Fig.11):

$$MCLKO = \frac{CLK}{N} \times 16$$

$$PCLK = \frac{CLK}{N} \times \frac{32}{M}$$

Where N = pre-divider ratio, M = post-divider ratio and

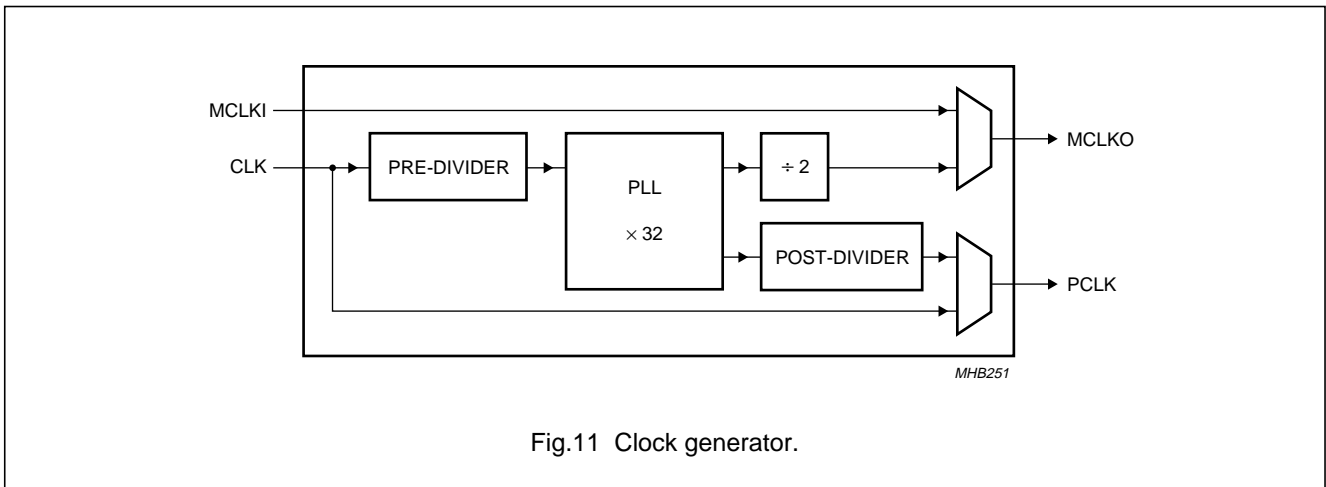
$$5 \text{ MHz} \leq \frac{CLK}{N} \leq 8 \text{ MHz}$$

It is possible to drive the memory clock output directly without the internal PLL via pin MCLKI. To achieve this the programming flag pll_mclk must be set to logic 0.

The same is possible for the panel output clock. Therefore the system clock CLK is used directly. The system clock is controlled by pll_pclk which must be set to logic 0.

SXGA RGB to TFT graphics engine

SAA6721E



8.2.2 CLOCK DIVIDER

The pre- and post-dividers are implemented in such a way, that they support dividing ratios of 0.5 steps in an interval from 1.5 to 10.5. All further dividing ratios are in steps of 1.0; see Fig.12 and Table 9.

Programming of the clock dividers must be done using the registers 26 to 32. It is necessary that the clock dividers must be disabled before programming and be enabled afterwards. This can be done with pre_div_enable and post_div_enable.

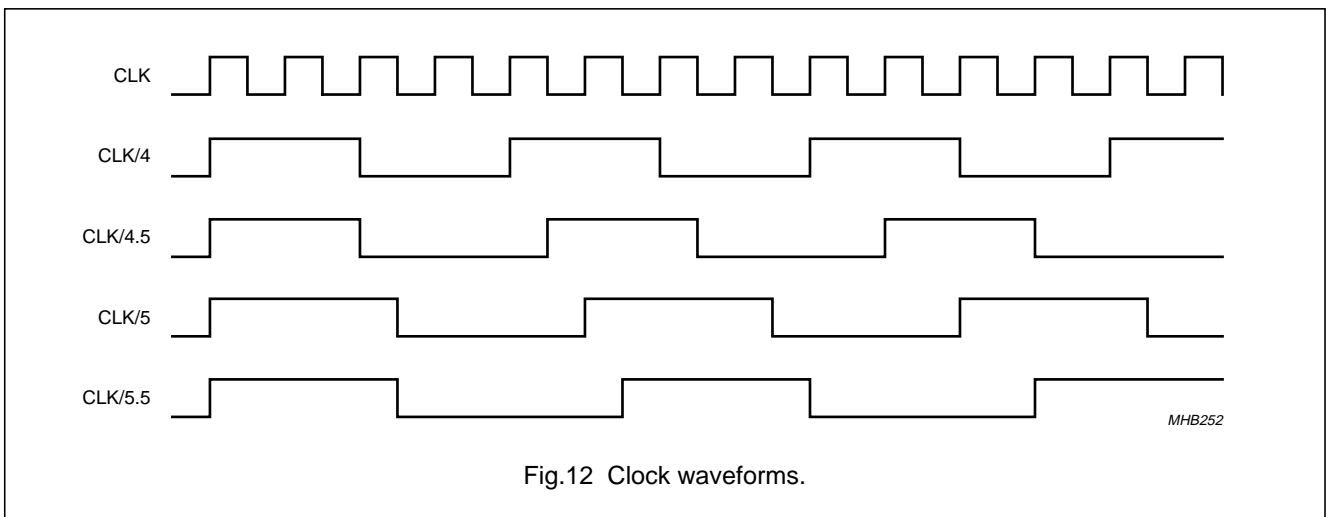


Table 9 Clock divider programming

RATIO	P-COUNTER (HEX)	N-COUNTER (HEX)	N-OFFSET COUNTER (HEX)	HALF CLK
1.5	10	10	1	1
2.0	00	00	0	0
2.5	30	30	2	1
3.0	10	10	0	1
3.5	41	41	3	1

SXGA RGB to TFT graphics engine

SAA6721E

RATIO	P-COUNTER (HEX)	N-COUNTER (HEX)	N-OFFSET COUNTER (HEX)	HALF CLK
4.0	11	00	0	0
4.5	61	61	4	1
5.0	21	21	0	1
5.5	72	72	5	1
6.0	22	00	0	0
6.5	92	92	6	1
7.0	32	32	0	1
7.5	A3	A3	7	1
8.0	33	00	0	0
8.5	C3	C3	8	1
9.0	43	43	0	1
9.5	D4	D4	9	1
10.0	44	00	0	0
10.5	F4	F4	A	1
11.0	54	54	0	1
12.0	55	00	0	0
13.0	65	65	0	1
14.0	66	00	0	0
15.0	76	76	0	1
16.0	77	00	0	0
17.0	87	87	0	1
18.0	88	00	0	0
19.0	98	98	0	1
20.0	99	00	0	0
21.0	A9	A9	0	1
22.0	AA	00	0	0
23.0	BA	BA	0	1
24.0	BB	00	0	0
25.0	CB	CB	0	1
26.0	CC	00	0	0
27.0	DC	DC	0	1
28.0	DD	00	0	0
29.0	ED	ED	0	1
30.0	EE	00	0	0
31.0	FE	FE	0	1
32.0	FF	00	0	0

SXGA RGB to TFT graphics engine

SAA6721E

8.3 RGB/YUV input interface

8.3.1 SAMPLING MODE

The input interface allows sampling of RGB or YUV data. Because of that two different modes must be supported: RGB data sampling and YUV data sampling. The flag `rgb_proc_on` selects RGB mode sampling if asserted. If the flag is not asserted YUV data is selected.

Sampling of interlaced RGB data is enabled by `rgb_interl_on`.

8.3.2 RGB DATA SAMPLING

Sampling is done on the rising edge or on both edges of VCLK depending on the number of ADCs.

The sample window is defined by `v_offset`, `h_offset`, `v_length`, and `h_length`.

The offset counters start counting from the second edge of their reference signals, i.e. VVS for vertical offset and VHS for horizontal offset. Figure 13 shows the horizontal offset. The polarities of the sync signals are given with `vs_pol` and `hs_pol`. The vertical sample offset is given in lines and the horizontal offset is measured in pixels. The width of the sample window is defined by the length counters. The vertical width is measured in lines and the horizontal width in pixels, but only even pixel numbers are allowed.

The sample clock for the ADCs is always VCLK, but in dual ADC mode this clock is half the pixel clock. Because of that, in dual ADC mode, both clock edges are used to sample data by the ADCs.

Table 10 Clock relationships

NUMBER OF ADCs	VCLK	VCLK SAMPLE EDGE
1	dot clock	positive
2	1/2 dot clock	both

In single ADC mode, with each VCLK clock, a pixel must be sampled from port A. In dual ADC mode, at each VCLK clock edge, a pixel must be sampled alternating from port A or B. The flag `adc_sample_seq` selects from which port data sampling starts after the active edge of the horizontal synchronization pulse.

8.3.3 CLAMP PULSE GENERATION

The clamp pulse is generated with respect to half the dot clock. The counters values responsible for switching the clamp pulse on or off are `clamp_on` and `clamp_off`. Both start counting from the second edge of VHS. The polarity of CLAMP is given with `clamp_pol`.

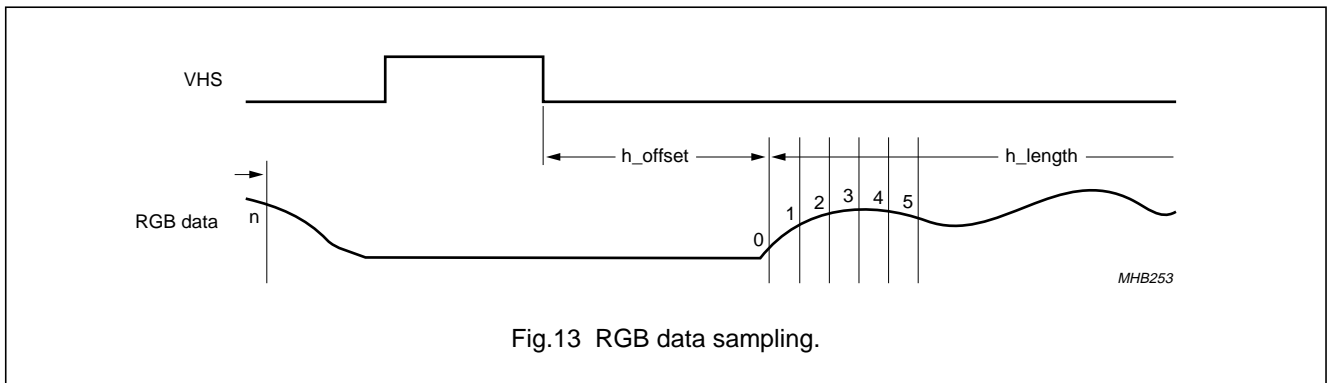


Fig.13 RGB data sampling.

SXGA RGB to TFT graphics engine

SAA6721E

8.3.4 GAIN CORRECTION PULSE GENERATION

The GAINC signal is the delayed horizontal sync pulse (VHS). It is delayed with respect to half the dot clock. The first edge of VHS is delayed by gainc_on_delay and the second edge by gainc_off_delay (see Fig.14). The polarity is programmed by gainc_pol.

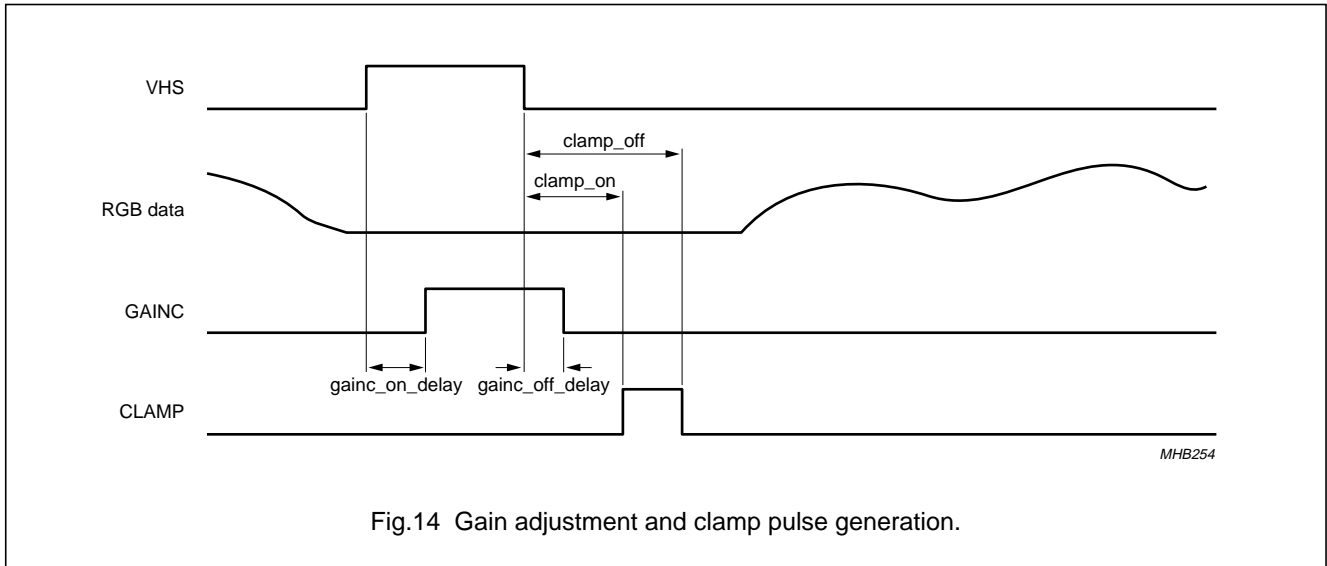


Fig.14 Gain adjustment and clamp pulse generation.

8.3.5 YUV DATA SAMPLING

In YUV mode the input interface receives digital YUV encoded video data from an external video decoder. The video data can be in 4 : 4 : 4, 4 : 2 : 2, 4 : 1 : 1, or YUV 4 : 2 : 2 with CCIR 656 codes. For the 4 : 4 : 4, 4 : 2 : 2, and 4 : 1 : 1 formats the reference signals VVS and VHS must be considered to identify the frames. The polarity of these signals is programmable with vs_pol and hs_pol. The region of valid video data and the start point for the UV sequence is defined by HREF applied at pin VPD6.

External reference signals are needed for sampling the YUV 4 : 4 : 4, 4 : 2 : 2 and 4 : 1 : 1 data. If CCIR 656 data is to be sampled, all external reference signals are ignored, because their information is coded into the data stream. All information about active video, blanking and field ID is taken from the CCIR 656 codes. The selection of the input format is done by yuv_input_mode as shown in Table 11.

Table 11 YUV input modes

yuv_input_mode[1 and 0]	DESCRIPTION
0	YUV 4 : 2 : 2 with CCIR 656 codes
1	YUV 4 : 1 : 1
2	YUV 4 : 2 : 2
3	YUV 4 : 4 : 4

Data sampling occurs in relation to horizontal and vertical offset counters, and horizontal and vertical length counters. They are the same as for programming the RGB input, v_offset, h_offset, v_length, and h_length. All offset and length values are relative to the whole frame, and not to odd or even fields (see Fig.15).

SXGA RGB to TFT graphics engine

SAA6721E

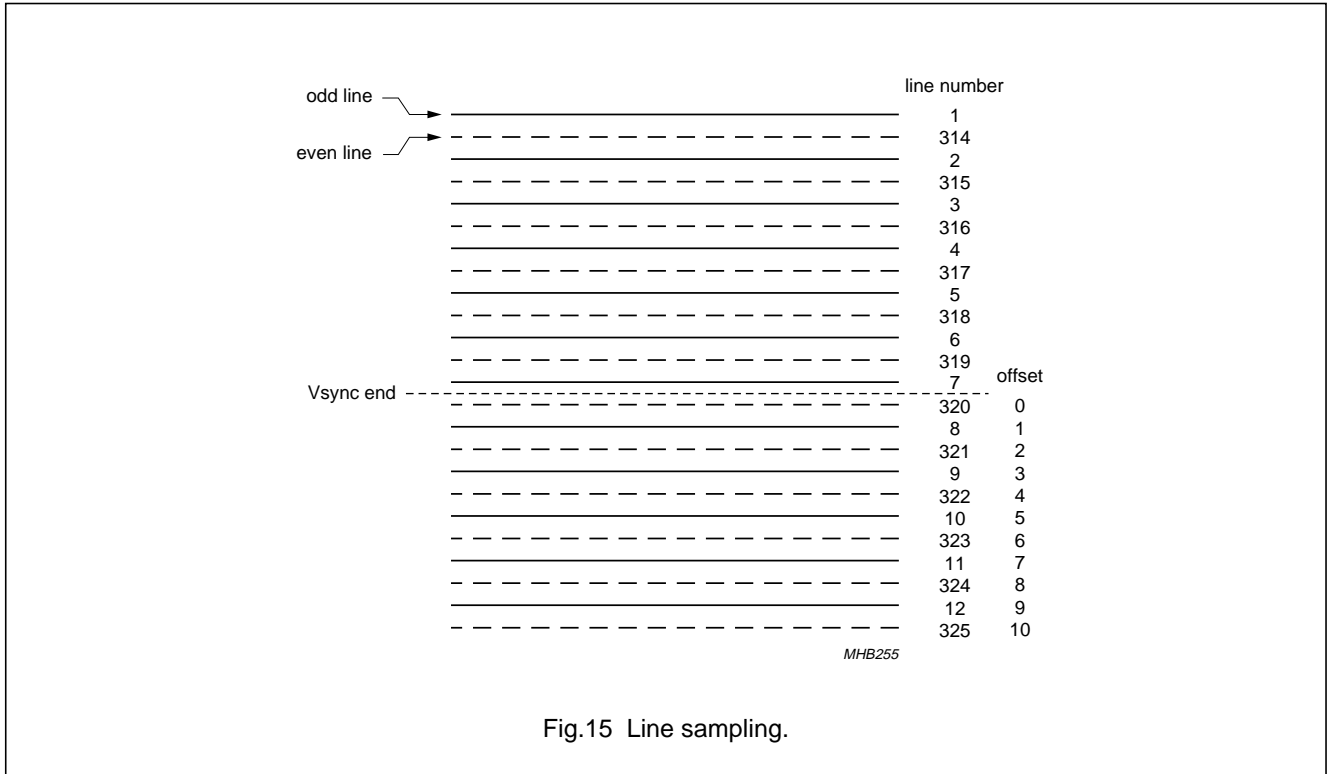


Fig.15 Line sampling.

8.3.5.1 Field capturing

Another problem that must be considered is frame dropping. It is possible that the connected video source only provides either odd or even frames, or that the video source drops frames. Therefore the input interface must process the incoming video stream in several ways, as shown in Table 12.

Table 12 Field capture modes

yuv_field_mode[1 and 0]	DESCRIPTION
0	all incoming frames are captured
1	after an odd frame the next even frame will be captured, and vice versa
2	capture only odd frames
3	capture only even frames

8.3.5.2 YUV clocking

VCLK, or alternatively the clock from MCLKI, is used for clocking the input interface in YUV mode and the data path behind the external clock. This second port will be used if yuv_clk_mux is set to logic 1. The external clock is the line-locked video clock from the video decoder. This clock is gated by CREF and applied at pin VPD7. Data is only to be sampled if this signal is asserted. Alternatively the line-locked video clock divided by two can be used (if provided by the decoder). In this event CREF must be tied to logic 1 or logic 0 depending on its programmed polarity.

SXGA RGB to TFT graphics engine

SAA6721E

8.4 Video mode and synchronization signal detection

The SAA6721E can be used to build up multi-sync systems using an external microcontroller. Therefore information about the input resolution and timing are provided (see Tables 7 and 8). The flags `pos_vsync` and `pos_hsync` show the polarity of the synchronization signals at VVS and VHS. If they are set to logic 1 they are active HIGH, and their active edge is the falling edge. If these flags are set to logic 0, they are active LOW.

For detecting Video Electronic Standard Association (VESA) Power-down modes or a not connected input, the presence of the synchronization signals will be detected: it can be read via `no_vsync`, and `no_hsync`. These flags are active HIGH. The timing of the applied RGB video input can be taken from `v_lines` reporting the number of lines of a full frame. The horizontal timing can be calculated from `h_clocks`. This register shows the length of a line in numbers of reference clock periods. The reference clock is equal to the panel clock PCLK in double pixel output mode (48 bits in parallel), or it is half the panel clock PCLK in single pixel output mode (24 bits in parallel).

If one of the above mentioned flags or counters changes its value, it can be assumed that a new graphics mode has been applied. In this case an interrupt at pin INT will be generated. This port is active LOW. The reset can be cleared by writing a logic 1 to `intr_clear` at address 24.

For adjusting the RGB input interface to a new graphics mode, the registers of the section RGB auto adjustment are to be used. With this auto adjustment support it is possible to measure the number of blanking pixels and lines between the end of the synchronization pulses and the active video. The horizontal and vertical back porch blanking can be read out at `black_pixels` and `black_lines`. The number of active pixels or lines will be reported from `non_black_pixels` and `non_black_lines`. The first value should be used for tuning the sample clocks PLL so that this value corresponds to the number of pixels to be sampled horizontally in this specific graphics mode. To distinguish between blanking and active video `ref_colour` is used. If the sample values of all three colour components are below this value the pixel is treated as a blanking pixel, otherwise it is treated as active video.

Additionally a reference pixel can be defined with `ref_line` and `ref_pixel`. The R, G, and B components of this pixel are sampled and available at `ref_pixel_red`, `ref_pixel_green`, and `ref_pixel_blue`. They can be used for fine tuning the external PLL in frequency and phase and for colour gain adjustment.

8.5 Memory interface and de-interlacer unit

The SAA6721E features a 64 bits wide synchronous DRAM interface. Both SDRAM and SGRAM devices can be used. There is no difference in programming when using SDRAM or SGRAM devices. The only thing that must be considered is the amount of frame buffer memory, which must be enough for the specific application.

Depending on the kind of input data stream the memory interface must be switched to YUV 4 : 2 : 2 or YUV 4 : 1 : 1 mode by setting `yuv422_mode` to logic 1 to enable 16 bits per pixel processing. If this flag is set to logic 0, 24 bits per pixel are used which is needed for RGB and YUV 4 : 4 : 4 processing. If not the whole bandwidth of the 64 bits wide data bus is needed, the data bus can be downsized to 48 or 32 bits. This is done with the parameter `data_width`, see Table 13.

Table 13 Data bus width

<code>data_width[1 and 0]</code>	PROGRAMMED BUS WIDTH (BITS)
0	32
1	48
2	64

Since the different timing parameters of various RAM device types are different, all important timing values are programmable and must be set-up according to the used RAM types.

To reach a high effective bandwidth all access to the external memory is organized in bursts. The larger the number of subsequent read or write accesses the higher the effective bandwidth. An effective bandwidth of 91% can be reached by doing 64 words burst accesses. The RAM devices support a maximum internal burst length of 8 words only, so 8 of these bursts must be run subsequently. This can be programmed by setting up the RAM with `SDRAM_burst_length_code` taken from the specification data of the SDRAM or SGRAM. The memory interface must be programmed to 64 words bursts by programming the RAM burst length `SDRAM_burst_length` to 8, and the number of these bursts in `burst_seq_length` to 8. The internal structure of the SAA6721E is optimized for 64 words bursts.

SXGA RGB to TFT graphics engine

SAA6721E

8.5.1 MEMORY INTERFACE LIMITATIONS

The timing parameters of the memory access can be programmed to fulfil the timing restrictions of several SDRAM or SGRAM devices. But there are some limitations, as shown in Table 14.

Table 14 Memory interface limitations

TIMING SYMBOL	PARAMETER	CONDITIONS	MINIMUM VALUE (CLOCK PERIODS)
CAS latency	Column Address Strobe (CAS) latency		≥ 2
t_{RCD}	activate to command delay; Row Address Strobe (RAS) to CAS delay		≥ 2
t_{RRD}	RAS to RAS bank activity delay	$t_{RRD} \neq t_{RCD}$; proposal is $t_{RRD} = t_{RCD} + 1$	≥ 3
t_{RP}	RAS precharge time		≥ 3
t_{WR}	write recovery time		≥ 1
t_{RC}	RAS cycle time		≥ 3
SDRAM_burst_length		must be supported by SDRAM	≥ 2
burst_seq_length		must be an even number	≥ 2
t_{RSC}	Register Set Cycle (RSC) mode time	internally defined; cannot be changed	$= 8$

8.5.2 INITIALIZATION OF EXTERNAL MEMORY

All SGRAM and SDRAM devices must be powered-up and initialized correctly. The SAA6721E memory interface is implemented to fulfil the INTEL PC100 SDRAM specification.

Table 15 shows the required programming steps to initialize the memory correctly.

Table 15 Memory initialization programming

STEP	ACTION	REGISTERS
1	SAA6721E Power-on reset	–
2	set-up timing parameters	51 to 55
3	start memory initialization with setting memory_init	24
4	set-up all other parameters	50 to 74
5	release internal memory reset together with other internal resets	24

8.5.3 FRAME AND FIELD MEMORY

The memory interface acts as a decoupling unit to adapt the different frame rates at the video input to the panel output. The external memory is also used for the de-interlacing unit which reconstructs the frames from odd and even fields in interlaced mode. The algorithm of de-interlacing can be selected by deint_mode (see Table 16).

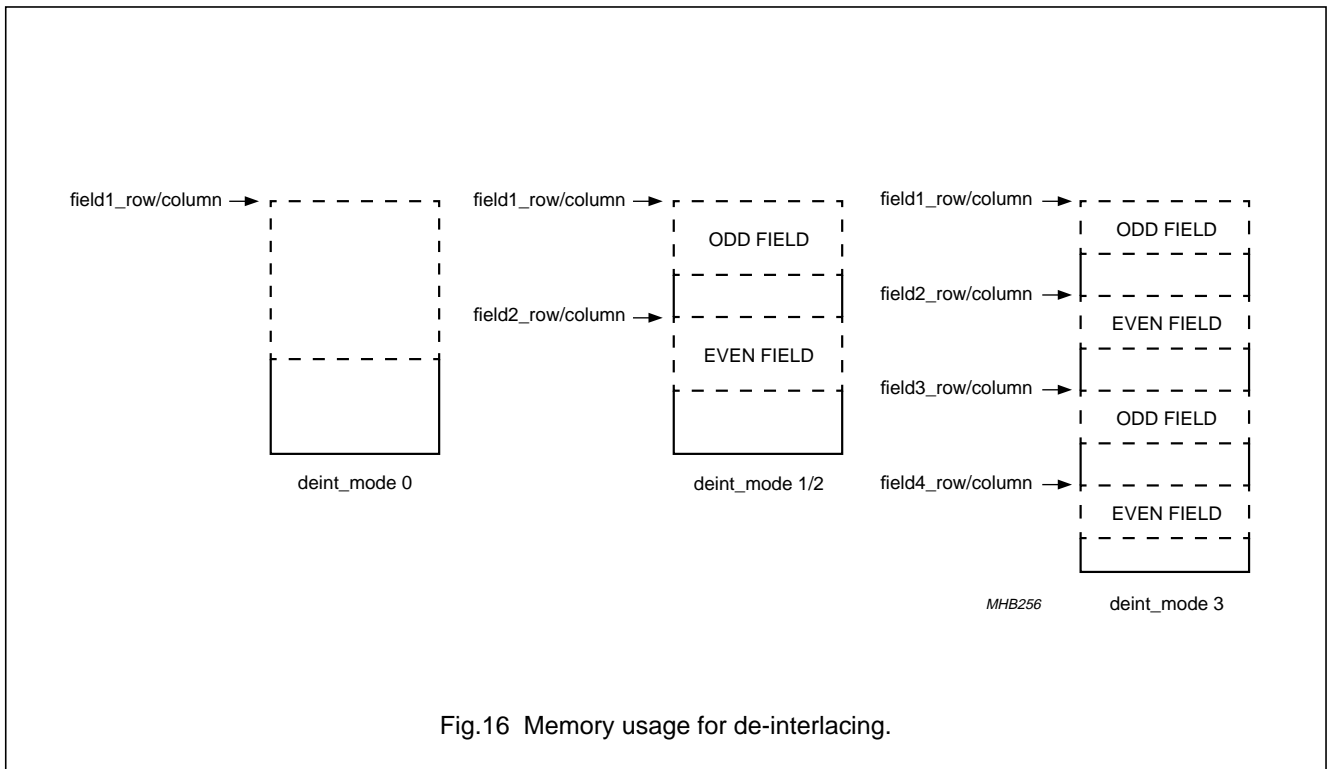
SXGA RGB to TFT graphics engine

SAA6721E

Table 16 De-interlacing modes

deint_mode[1 and 0]	ALGORITHM	MEMORY NEEDS
0	no de-interlacing and no filtering	1 frame buffer
1	de-interlacing without filtering	2 field buffers
2	de-interlacing with spatial filtering	2 field buffers
3	de-interlacing with temporal filtering	4 field buffers

De-interlacing mode 0 must be selected for non-interlaced input of RGB or YUV. Only one memory area is needed, whose start address must be programmed into field1_row and field1_column. Normally this should be logic 0 for both values. All other modes need more than one memory area. So the other field start addresses must be programmed (see Fig.16).



The memory interface addresses alternately the two banks of the SDRAM or SGRAM devices. So the memory needs for the field stores must be calculated from the following formula:

$$\text{field_memory_size}[18 \text{ to } 0] = \text{number_of_pixels} \times \frac{\text{bytes_per_pixel}}{2 \times \text{data_bus_width (bytes)}} , \text{ where}$$

- number_of_pixels depends on the input resolution and whether it is an odd or even field
- bytes_per_pixel is 2 for YUV 4 : 2 : 2 and YUV 4 : 1 : 1; 3 for YUV 4 : 4 : 4 and RGB.

All memory addresses must be transformed into row and column addresses used by DRAMs. The column address is formed by the 8 LSBs (field_memory_size[7 to 0]), and the row address by all the other address bits (field_memory_size[18 to 8]). The column address must be aligned to the number of internal DRAM bursts, normally in steps of 8 (0, 8, 16, etc.).

SXGA RGB to TFT graphics engine

SAA6721E

The values given in Table 17 can be used for frame resolutions up to 720 × 576 pixels which complies to the 625 line/50 Hz mode.

Table 17 Field start address values

FIELD	VALUE (HEX)
Field1 row/column	000/0
Field2 row/column	08D/0
Field3 row/column	100/0
Field4 row/column	180/0

8.5.4 FRAME RECOVERY

During de-interlacing and also in mode 0, output frames with the right vertical and horizontal dimensions must be generated. Since size information is not stored in the external memory, the output frame resolution must be programmed into the registers `frame_length` and `line_length`. The first value gives the vertical resolution, and the second the horizontal resolution in pixels. If no downscaler is used, these values can be taken directly from the input interface. If downscaling is activated, the size of the de-interlacer output frame must be calculated from the RGB input frame size divided by the downscaling factors.

If no valid data stream is applied at the RGB/YUV input interface, the de-interlacer is able to generate a picture by itself. This will be enabled with `blank_screen` at address 25. The colour of this frame is defined by `blank_colour_red`, `blank_colour_green`, and `blank_colour_blue`.

8.6 Scaling

Two different scaling units are implemented to perform both up and downscaling. The downscaling engine, which is located before the memory interface, and the upscaling engine after the memory interface.

8.6.1 DOWNSCALING

If the downscaler is to be used, it must be enabled by setting flags `down_v_scaler_on` and `down_h_scaler_on`. For vertical scaling a line memory buffer is needed. This memory must be switched to downscaling mode by setting `down_v_scaler_mem` to logic 1 because only one is available.

Setting up the desired downscaling ratios is achieved by programming the scaling increments `down_v_incr`, `down_v_corr`, and `down_h_incr`, `down_h_corr`. This must be done for both vertical and horizontal scaling.

$$\text{incr} = \frac{\text{number_of_output_pixels}}{\text{number_of_input_pixels}} \times 64 = \text{xx.yy}$$

Where `xx` is equivalent to `down_v_incr` or `down_h_incr` and `yy` is the fraction of the result in $\frac{1}{100}$.

This is the value for programming the increment correction values `down_v_corr` and `down_h_corr`.

Example: SXGA → XGA

$$\text{Horizontal: } \frac{1024}{1280} \times 64 = 51.20$$

This means `down_h_incr` = 51 and `down_h_corr` = 20.

$$\text{Vertical: } \frac{768}{1024} \times 64 = 48.00$$

This means `down_v_incr` = 48 and `down_v_corr` = 0.

8.6.2 UPSCALING

The upscaler must be activated by `up_v_scaler_on` and `up_h_scaler_on`. To use the line memory for upscaling, `down_v_scaler_mem` must be set to logic 0. To set-up the zoom factor, the scaling increments `up_v_incr`, `up_v_corr`, `up_h_incr`, and `up_h_corr` must be programmed.

$$\text{incr} = \frac{\text{number_of_output_pixels}}{\text{number_of_input_pixels}} \times 64 = \text{xx.yy}$$

Where `xx` is equivalent to `up_v_incr` or `up_h_incr` and `yy` is the fraction of the result in $\frac{1}{100}$.

This is the value for programming the increment correction values `up_v_corr` and `up_h_corr`.

Example: XGA → SXGA

$$\text{Horizontal: } \frac{1280}{1024} \times 64 = 80.00$$

This means `up_h_incr` = 80 and `up_h_corr` = 0.

$$\text{Vertical: } \frac{1024}{768} \times 64 = 85.33$$

This means `up_v_incr` = 85 and `up_v_corr` = 33.

SXGA RGB to TFT graphics engine

SAA6721E

8.6.3 UPSCALER TRANSITION FUNCTION

A special feature of the zooming algorithm is a free programmable transition function which allows smoothing or sharpening of the transition between pixels that have been calculated.

This function will be stored in a look-up table, containing 64 words of 7 bits; thus a function of 64 points with a resolution from 0 to 64 can be programmed.

Programming is performed using the registers `coeff_index` and `coeff_value`. The first register defines the point of the function, the second the value. Writing to register `coeff_value` increments the value of `coeff_index` automatically, so that the next point of the function is addressed. Additionally no register increment will be performed, so that subsequent I²C-bus write addresses always have the same register `coeff_value`.

8.7 Panning unit

If the scaled or non-scaled input frame does not fit into the needed output frame, whether it is to large or to small, the panning unit enlarges the input frame to the size of the output frame. This is achieved by generating a border region around the input frame, or it cuts the input frame down to the size of the output frame. The position of the top left pixel of the input frame inside the output frame must be defined with `pic_v_offset` and `pic_h_offset`. The output frame size must be programmed with `out_v_size` and `out_h_size` (see Fig.17).

If the input frame is to large only the right and bottom part will be cropped. The colour of the generated border region must be set via `border_colour_red`, `border_colour_green`, and `border_colour_blue`.

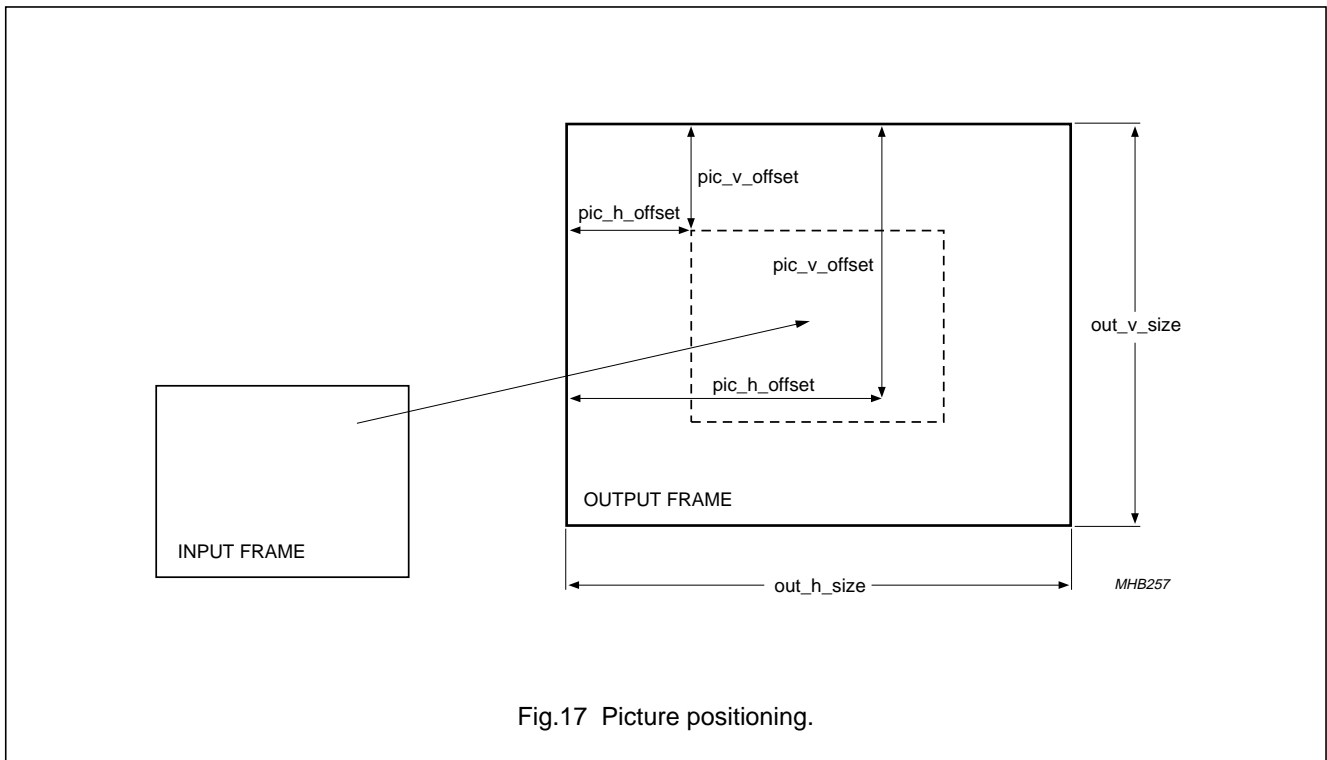


Fig.17 Picture positioning.

SXGA RGB to TFT graphics engine

SAA6721E

8.8 Overlay port

8.8.1 OVERLAY INSERTION

If *ovl_syncs_active* is HIGH, the vertical and horizontal sync signals for the external OSD controller are generated. The flag *ovl_insert_active* switches on the insertion of the information at the overlay port provided by an external OSD controller into the data stream at the position defined by *ovl_v_offset*, *ovl_hs_start*, and *ovl_hs_latency* (see Fig.18).

The incoming data from ports *ovl0* and *ovl1* is replaced by the defined colour information and treated as a double pixel, which will be inserted into the data stream if *OVACT* is set. The pixel at port 0 is then the left pixel, and the pixel at port 1 is the right pixel. The sampling of the ports *ovl0* and *ovl1* is done on the positive edge of *OVCLK* in the event that *sample_edge* is asserted, otherwise on the falling edge of *OVCLK*.

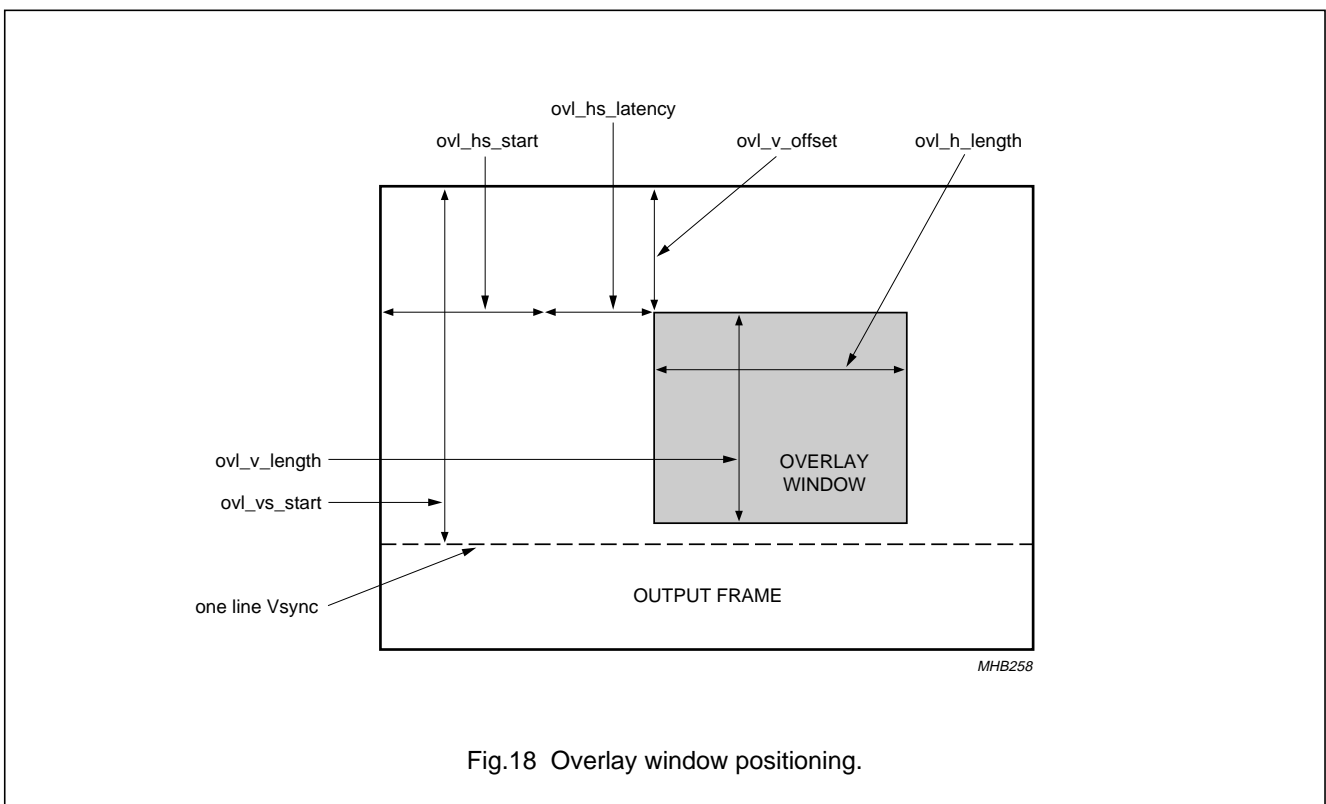


Fig.18 Overlay window positioning.

SXGA RGB to TFT graphics engine

SAA6721E

8.8.2 SYNC GENERATION

The start of the horizontal sync pulse is defined in `ovl_hs_start` and the polarity in `ovl_hs_pol`. The sync pulse length is defined in `ovl_hs_length` (see Fig.19). It is possible to generate a Hsync pulse from one clock cycle length up to longer than the horizontal overlay data. The vertical sync pulse starts at `ovl_vs_start` and is always one output frame line long.

8.8.3 DATA SAMPLING

Data sampling from the two ports OVA and OVB starts from the beginning of the horizontal sync pulse, but the number of clocks defined in `ovl_hs_latency` will decide when reading data from the overlay port will start (see Fig.19). The end of the sync pulse is not important.

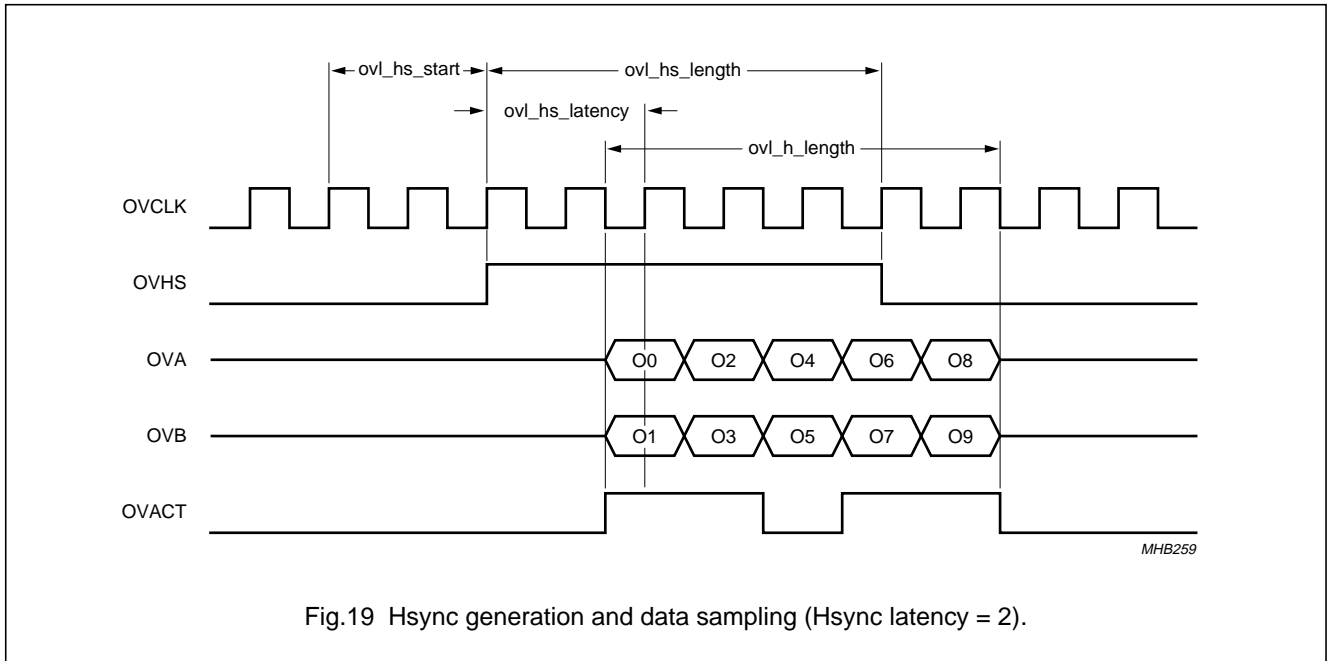


Fig.19 Hsync generation and data sampling (Hsync latency = 2).

8.8.4 OVCLK GATING

All of the above mentioned functions will only work during internal processing of valid video data, and not during internal blanking regions. This can give problems if the overlay window is displayed at the left border of the picture because the first pixels of a line will be processed due to the internal pipeline structure. To overcome this, the OVCLK can be gated to disable data processing by the external OSD controller during internal blanking. Clock gating is enabled by `clk_gating_on`.

8.9 Colour space matrix

The back-end processing of the SAA6721E and the TFT panels require RGB video data. So the built-in colour space matrix is used to convert video data from YUV space into RGB space. It can be enabled by setting `csm_bypass` to logic 0 (see general configuration section of the programming register Table 7), otherwise the colour space converter will be bypassed.

8.10 Colour correction

The colour correction unit can be used to perform gamma correction, change of brightness, and so on. This can be achieved by means of a look-up table. Each colour component value in an RGB pixel is used as a pointer into this table. The value from the table will replace the incoming colour.

Various tables exist for R, G, and B components. Programming of a table must be performed using the programming registers 47 to 49 (see the colour correction section of the programming register Table 7). It must be decided which component table should be written to (`red_prog`, `green_prog`, `blue_prog`). In `colour_index` the start address or the first incoming colour value for programming must be written. Then subsequent writing to `colour_value` fill the table. At this address the I²C-bus address auto-increment stops, but the value programmed into `colour_index` will be incremented. It is possible to write to more than one table by enabling of programming multiple colour components.

SXGA RGB to TFT graphics engine

SAA6721E

If the colour correction unit is switched to bypass mode (when `colour_correction_on` is not asserted), the incoming colours are used for further processing.

Writing to the colour correction table is possible during data processing.

8.11 On screen display

8.11.1 OSD GENERALS

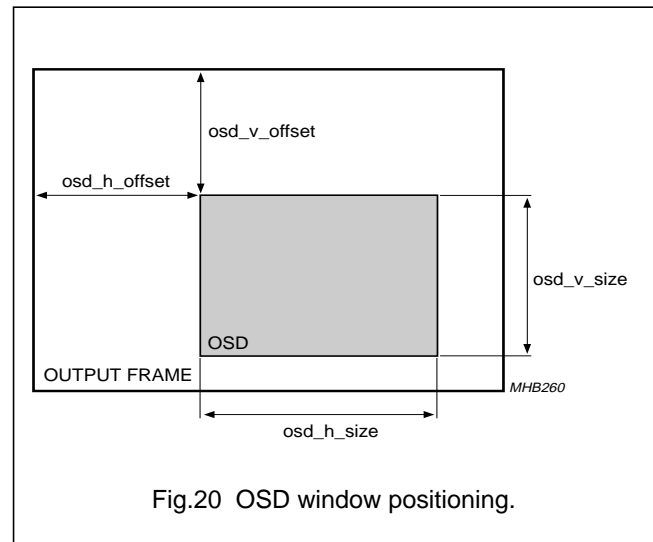
The implemented OSD is a character based window system. It consists of a character matrix memory where all character definitions are stored, and an OSD window memory defining the OSD window's contents. The OSD window will be inserted into the video data stream if `osd_active` is set to logic 1. Writing to these memories can be done during data processing.

8.11.2 OSD WINDOW

The OSD window contains the character, colour and appearance information to be displayed. Such a definition exists for each character position. A character can use one of 8 different foreground and background colours. Some of these colours can be defined as transparent colours where the original picture information will be displayed instead, as alpha blended colours where a 1 : 1 or 1 : 2 alpha blending will be done between picture and OSD, or as normal colours. Transparency or alpha blending effects will be enabled or disabled for the single characters.

The size and outline of the visible OSD window can be programmed as long as the internal memory meets the needs. This memory is able to store information of 1152 characters information.

The programming registers `osd_v_size` and `osd_h_size` define the OSD window size in characters. The window position inside the output frame must be defined with `osd_v_offset` and `osd_h_offset` (see Fig.20).



The OSD can be programmed to use a 24×24 character matrix, or a 12×16 matrix. The first one should be used for Kanji and the second for standard characters.

The selection of the font size is done by `char_size`.

A logic 1 selects 24×24 font, and a logic 0 the smaller 12×16 font. If the small 12×16 font is used, up to 128 different characters can be defined. Alternatively up to 42 characters of the larger 24×24 font can be used.

Table 18 gives some possible OSD settings.

SXGA RGB to TFT graphics engine

SAA6721E

Table 18 OSD window size

OSD SIZE	OSD WINDOW RESOLUTION/PIXELS	
	24 × 24	12 × 16
32 × 16	768 × 384	384 × 256
40 × 20	960 × 480	480 × 320
48 × 24	1 152 × 576	576 × 384

The whole OSD window can be zoomed in both directions by a factor of two by setting zoom2 to logic 1. This results in pixel doubling horizontally and vertically.

Each character can be displayed using 1 of 8 different foreground and background colours. These sixteen colours can be chosen from the full true colour palette with 8 bits per colour component. The definition of these colours is in registers 144 to 191 (see OSD section of the programming register Table 7). The first 8 colour entries are used for foreground colours, and the second half is used for defining the background colours. Registers 192 to 195 (see Table 7) decide the transparency and alpha blending effects. If one of these effects is enabled for a specific character, only the colours defined as transparency or alpha blending colours will be used to generate these effects.

Each character information in the OSD window memory consists of 15 bits of information. This is given in Tables 19 and 20.

Table 19 Character appearance definition

CHARACTER INFORMATION	NUMBER OF BITS
Character code	7
Appearance	2
Background colour	3
Foreground colour	3

The character code is used to address the defined characters inside the matrix memory.

The appearance bits decide about transparency and alpha blending, and background and foreground colour are indices to the colour definition registers.

Table 20 Colour effects

APPEARANCE VALUE	EFFECT
0	OSD character colours are displayed instead of the picture colours
1	OSD character colours defined as transparency colours will be replaced by the picture colours
2	OSD character colours defined as alpha blending colours will be alpha blended 1 : 1 with the picture colours
3	OSD character colours defined as alpha blending colours will be alpha blended 2 : 1 with the picture colours

To access a certain character position its coordinates must be programmed into registers 196 (cursor_row) and 197 (cursor_column), see Table 7. After that, the colours and appearance of the character must be defined in address 198 (see Table 7). This definition is valid for all further writes to register 199 (char_code), see Table 7. After writing to this register the cursor position changes to the next right position. At line end it wraps around to the first left character in the line below. I²C-bus auto-increment is not active at register 199 (see Table 7), so that subsequent I²C-bus byte write accesses will define several characters.

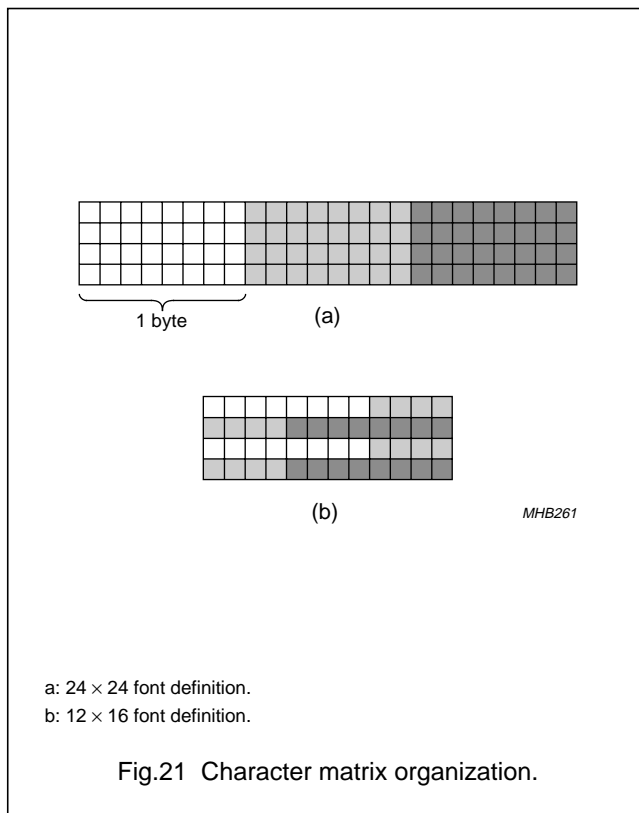
8.11.3 OSD CHARACTER MATRIX

Two different font sizes are supported; 24 × 24 and 12 × 16 pixels. With the internal matrix memory 42 characters (24 × 24 pixels) can be defined, or 128 characters (16 × 12 pixels).

The definition of the characters is achieved by writing to registers 200 and 201 (see Table 7). The first register must be written to with the character code of the character to be defined. Then the bytes with the pixel pattern must be written to address 201 (see Table 7). The definition of a character is done with 3 bytes per line at 24 × 24 font (72 bytes per character), and with 3 bytes per 2 lines at 12 × 16 font (24 bytes per character), see Fig.21.

SXGA RGB to TFT graphics engine

SAA6721E



The second mode is synchronized to the input data, mainly implemented to support the SAA6721E's no memory mode. In this mode the input data is sent directly to the output interface, which must synchronize its output timing to get the same frame rate as the input. Additionally it starts generating vertical blanking and synchronization signals at pins PVS and PHS directly after releasing the internal reset.

After the programmed top blanking the output interface enlarges the last blanking line until data from the input interface reaches the output interface. Because too long lines cause counter overflows in the panels, a controlling mechanism exists which changes the length of the blanking, border and active lines according to the timing requirements of the panel and the applied graphics mode. This mode can be enabled by setting the programming register `sync_mode` to logic 1, otherwise the first free running mode will be selected.

The length controlling the blanking, border and active video region can be enabled by asserting `blank_ctrl`, `border_ctrl`, and `active_ctrl`.

The output interface also supports a Power-down mode which sets all output signals to logic 0. This will be activated by the programming flag `power_down` (see section general configuration Table 7).

For flicker free switching between different input modes, the output interface is able to set all data outputs to the panel to logic 0, resulting in a black picture. Even if during programming and internal reset no synchronization pulses for the panel are generated and the panel loses the last picture information, the panel still displays black colour, because this is its Idle state. To switch the output interface into this mode `blank_tft` must be set.

To enable the panel interface it must be enabled with `out_if_enable`. The interface supports single pixel (24 bits) and double pixel (48 bits) output in parallel. The selection between these two modes must be done with `single_pixel_output`. The active clock edge at PCLK can also be selected by `clk_pol`.

8.12 Temporal dithering (frame rate controller)

The SAA6721E is able to display true colour (8 bits per colour) on high colour displays (6 bits per colour). The algorithm used is temporal dithering. This feature can be enabled by setting `frc_on` to logic 1 in the general configuration register block (see Table 7).

8.13 Output interface

8.13.1 GENERAL

The output interface is the interface between the SAA6721E and the TFT panel. Its timing parameters can be programmed in a wide range to support panels of many different manufacturers.

The output interface can operate in two different modes.

The first mode is the free running mode which is adapted to the memory mode of the SAA6721E. In this mode the output is independent from the input at the RGB/YUV input interface. So the output frame generation can start directly after releasing the internal reset. For getting a high frame rate the output timing can be programmed to satisfy the minimum timing requirements of the panel.

SXGA RGB to TFT graphics engine

SAA6721E

8.13.2 FRAME GENERATION

The output frame contains three main regions:

- Blanking region
- Border region
- Active video region.

The blanking region contains all front and back porch as well as the synchronization intervals. The border region is visible on the panel and is used for positioning the active video region inside this visible area. To ensure a great flexibility in the 'sync to input' mode there are 3 different horizontal length counters (h_len_blank, h_len_border, h_len_active) with independent length control (see Fig.22).

A maximum value must be programmed in h_max_len which is the upper limit for line lengthening during activated control mechanism. In free running mode all 3 counters should be programmed with the same minimum values.

If no border is needed, because the active video region covers the visible area of the panel, the active video length counters should point to the same positions as the border length counters. Then the active video length counters have a higher priority.

The border colour inserted by the output interface is the same as the blank colour in the memory interface; blank_colour_red, blank_colour_green, blank_colour_blue.

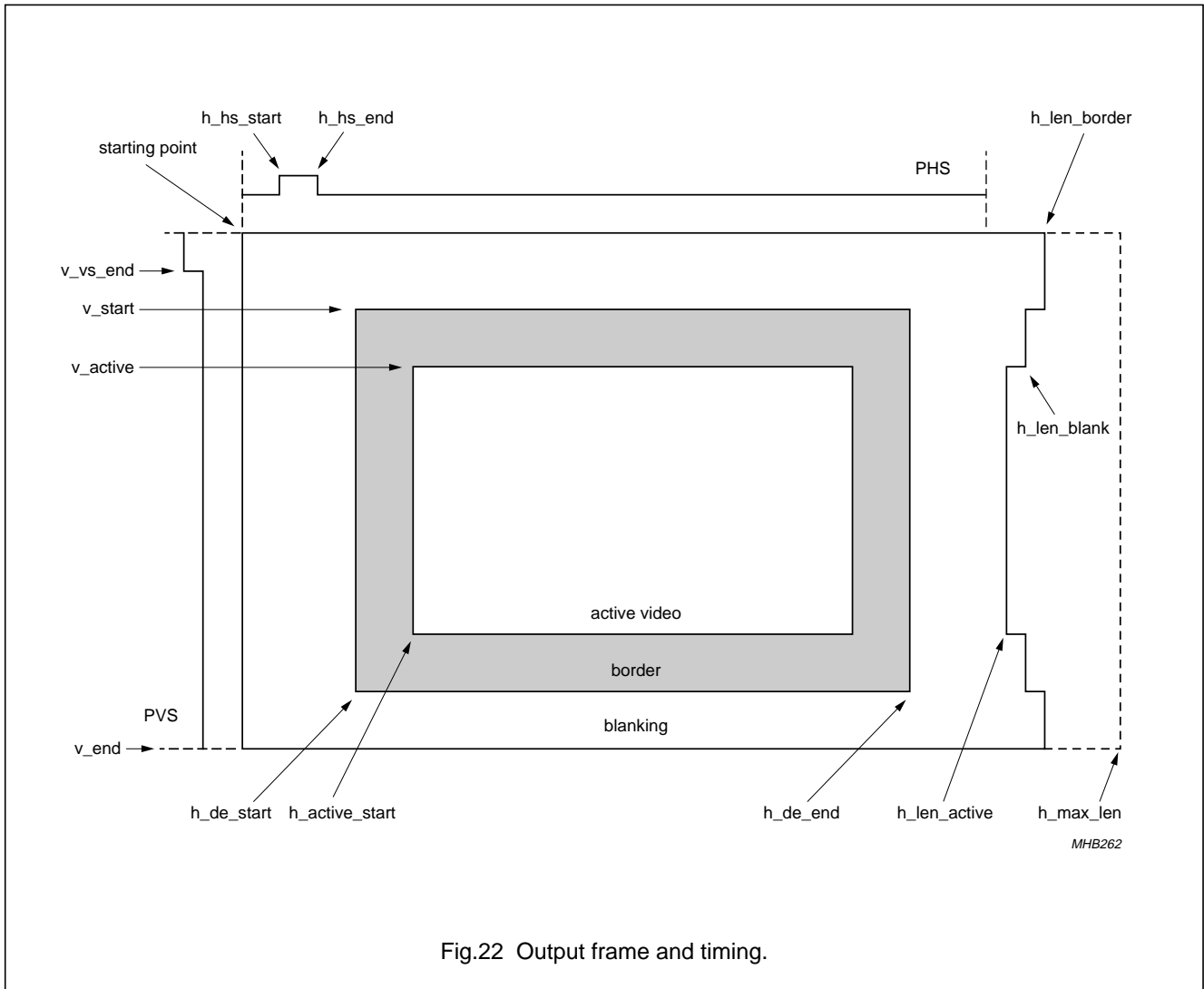


Fig.22 Output frame and timing.

SXGA RGB to TFT graphics engine

SAA6721E

8.13.3 TIMING REFERENCE SIGNALS

The SAA6721E supports three timing reference signals to drive the panels: PVS (vertical synchronization pulse), PHS (horizontal synchronization pulse) and PDE (data qualifier). The polarity of these signals is programmable. To program high polarity the three programming registers (vsync_pol, hsync_pol, de_pol) must be set to logic 1. Sometimes panels require that no data qualifier signals must be active during vertical synchronization. The generation of PDE pulses during active PVS can be switched off by de-asserting sync_de_inact.

The position and length of the horizontal synchronization pulses in an output line must be programmed with h_hs_start and h_hs_end. The vertical synchronization pulse starts at line 0 and ends at v_vs_end. The horizontal start offset in line 0 can be set-up with h_vs_start and the horizontal end offset with h_vs_end.

The data qualifier PDE frames the display region that should be visible on the panel horizontally. It will be asserted at h_de_start and it will be de-asserted at h_de_end. It frames both horizontal border and active video region.

9 LIMITING VALUES

In accordance with the Absolute Maximum Rating System (IEC 134); all ground pins are connected together and all supply pins are connected together.

SYMBOL	PARAMETER	CONDITIONS	MIN.	MAX.	UNIT
V _{DDD}	digital supply voltage		-0.5	+4.6	V
V _{DD(PLL)}	PLL supply voltage		-0.5	+4.6	V
V _n	voltage at digital inputs and outputs	outputs in 3-state	-0.5	+5.5	V
	voltage at digital output	outputs active	-0.5	V _{DDD} + 0.5	V
ΔV _{SS}	voltage difference between V _{SS(PLL)} and V _{SS(D)}		-	100	mV
T _{stg}	storage temperature		-65	+150	°C
T _{amb}	ambient temperature		0	70	°C
T _{amb(bias)}	operating bias ambient temperature		-10	+70	°C
V _{es}	electrostatic handling voltage for all pins	note 1	-2	+2	kV

Note

- Human body model: equivalent to discharging a 100 pF capacitor through a 1.5 kΩ resistor.

SXGA RGB to TFT graphics engine

SAA6721E

10 CHARACTERISTICS

$V_{DD} = 3.0$ to 3.6 V; $V_{DD(PLL)} = 3.1$ to 3.5 V; $T_{amb} = 25$ °C; unless otherwise specified.

SYMBOL	PARAMETER	CONDITIONS	MIN.	TYP.	MAX.	UNIT
Supplies						
V_{DD}	digital supply voltage		3.0	3.3	3.6	V
I_{DD}	digital supply current		–	600	tbf	mA
P_D	digital power dissipation		–	2	–	W
$V_{DD(PLL)}$	PLL supply voltage		3.1	3.3	3.5	V
$I_{DD(PLL)}$	PLL supply current		–	tbf	tbf	mA
P_{PLL}	PLL power dissipation		–	tbf	–	W
$P_{PLL + D}$	digital plus PLL power dissipation		–	2	–	W
Digital inputs						
$V_{IL(SCL, SDA)}$	LOW-level input voltage at pins SDA and SCL		–0.5	–	+0.3 V_{DD}	V
$V_{IH(SCL, SDA)}$	HIGH-level input voltage at pins SDA and SCL		0.7 V_{DD}	–	$V_{DD} + 0.5$	V
$V_{IL(LVTTL)}$	LOW-level input voltage at LVTTL pins		–0.5	–	+0.8	V
$V_{IH(LVTTL)}$	HIGH-level input voltage at LVTTL pins		2.0	–	$V_{DD} + 0.5$	V
I_{LI}	input leakage current		–	–	10	μA
C_i	input capacitance	outputs at 3-state	–	–	8	pF
	input capacitance at all other inputs		–	–	5	pF
Digital outputs						
$V_{OL(SDA)}$	LOW-level output voltage at pin SDA	SDA at 3 mA sink current	–	–	0.4	V
		SDA at 6 mA sink current	–	–	0.6	V
$V_{OL(CMOS)}$	LOW-level output voltage at CMOS pins		–	–	0.4	V
$V_{OH(CMOS)}$	HIGH-level output voltage at CMOS pins		2.4	–	–	V
$V_{OL(LVTTL)}$	LOW-level output voltage at LVTTL pins		–	–	0.4	V
$V_{OH(LVTTL)}$	HIGH-level output voltage at LVTTL pins		0.85 V_{DD}	–	–	V

SXGA RGB to TFT graphics engine

SAA6721E

11 TIMING CHARACTERISTICS

$V_{DD} = 3.0$ to 3.6 V; $V_{DD(PLL)} = 3.1$ to 3.5 V; $T_{amb} = 25$ °C; see Fig.23; unless otherwise specified.

SYMBOL	PARAMETER	CONDITIONS	MIN.	TYP.	MAX.	UNIT
System clock input at pin CLK						
f_{CLK}	clock frequency		24	–	70	MHz
δ	duty factor		40	50	60	%
RGB/YUV sample clock input at pin VCLK						
f_{VCLK}	clock frequency	single ADC mode	25	–	150	MHz
		double ADC mode	12.5	–	75	MHz
δ	duty factor		40	50	60	%
Input signals at pins VVS, VHS, VPA7 to VPA0, VPB7 to VPB0, VPC7 to VPC0, VPD7 to VPD0, VPE7 to VPE0, and VPF7 to VPF0 with respect to signal at pin VCLK						
t_{su}	set-up time		–4.0	–	–	ns
t_h	hold time		7.0	–	–	ns
Output signals at pins CLAMP and GAINC with respect to signal at pin VCLK; note 1						
t_h	hold time		8	–	–	ns
t_{PD}	propagation delay		–	–	13	ns
Output clock to panel at pin PCLK						
f_{PCLK}	clock frequency		–	–	80	MHz
δ	duty factor		40	50	60	%
Output signals at pins PVS, PHS, PDE, PAR7 to PAR0, PAG7 to PAG0, PAB7 to PAB0, PBR7 to PBR0, PBG7 to PBG0, and PBB7 to PBB0 with respect to signal at pin PCLK; note 2						
t_h	hold time	pins PVS, PHS and PDE	–0.5	–	–	ns
		all other pins	0	–	–	ns
t_{PD}	propagation delay	pins PVS, PHS and PDE	–	–	1	ns
		all other pins	–	–	3.5	ns
Overlay port clock output at pin OVCLK						
f_{OVCLK}	clock frequency				80	MHz
δ	duty factor		40	50	60	%
Input signals at pins OVACT, OVA2 to OVA0, and OVB2 to OVB0 with respect to signal at pin OVCLK						
$t_{su(i)}$	set-up time		6.0	–	–	ns
$t_{h(i)}$	hold time		–3.0	–	–	ns
Output signals at pins OVVS and OVHS with respect to signal at pin OVCLK; note 1						
$t_{h(o)}$	hold time		–1.0	–	–	ns
$t_{PD(o)}$	propagation delay		–	–	1.0	ns

SXGA RGB to TFT graphics engine

SAA6721E

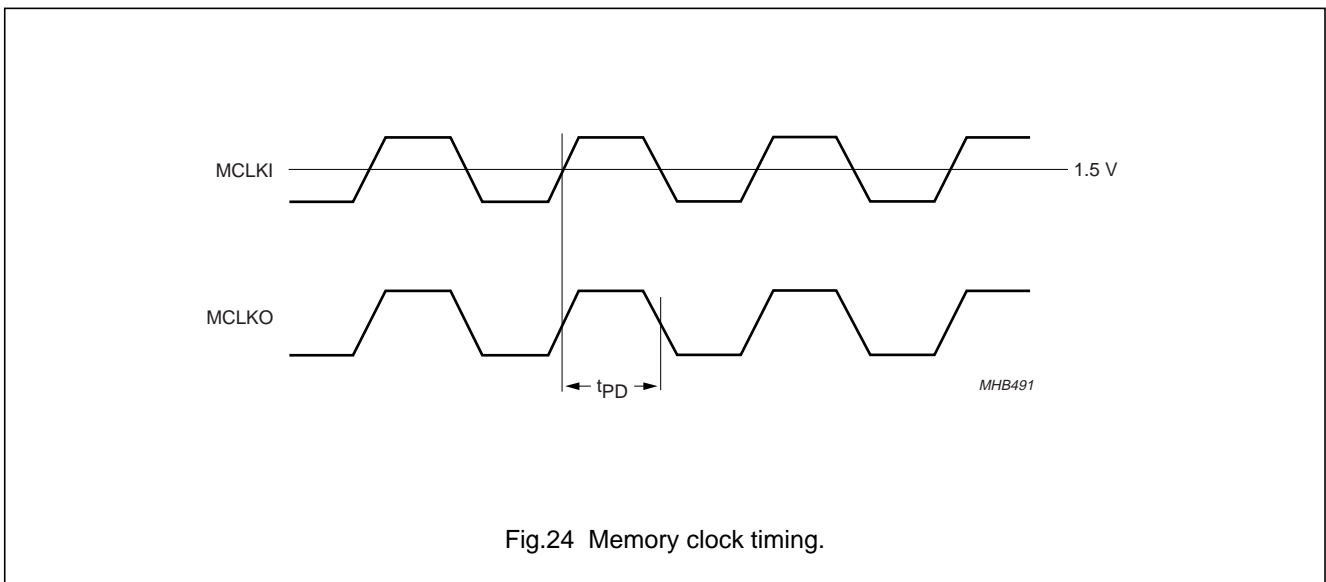
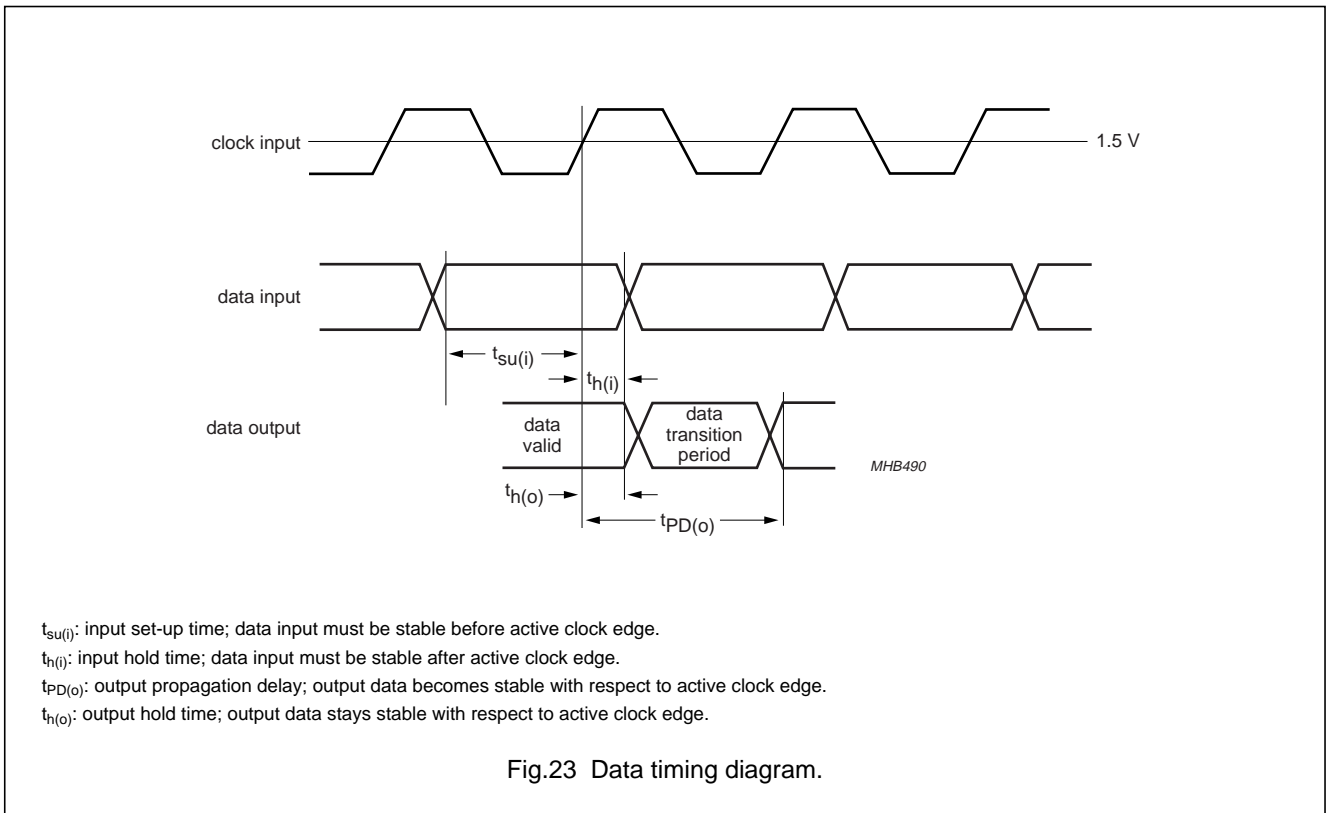
SYMBOL	PARAMETER	CONDITIONS	MIN.	TYP.	MAX.	UNIT
Memory port clock output; pin MCLKO						
f_{MCLKO}	frequency		–	–	125	MHz
C_L	load capacitance		–	–	20	pF
δ	duty factor		40	50	60	%
Input signal at pin MCLKI with respect to signal at pin MCLKO; see Fig.24						
f_{MCLKI}	frequency		–	–	125	MHz
δ	duty factor		40	50	60	%
t_{PD}	propagation delay		6.5		10	ns
Input signals at pins DQ63 to DQ0 with respect to the negative edge of signal at pin MCLKO						
t_{su}	set-up time		6.0	–	–	ns
t_h	hold time		–3.0	–	–	ns
Output signals at pins DQ63 to DQ0, \overline{RAS}, \overline{CAS}, \overline{WE}, A10 to A0, and BA with respect to the negative edge of signal at pin MCLKO; note 3						
t_h	hold time					
	pins DQ63 to DQ0		–1	–	–	ns
	pins \overline{RAS} , \overline{CAS} , \overline{WE} , A10 to A0, and BA		0	–	–	ns
t_{PD}	propagation delay					
	pins DQ63 to DQ0		–	–	1.0	ns
	pins \overline{RAS} , \overline{CAS} , \overline{WE} , A10 to A0, and BA		–	–	1.0	ns

Notes

1. $C_L = 15\text{pF}$, $I_o = 2\text{ mA}$ and $R_L = 2\text{ k}\Omega$.
2. $C_L = 15\text{pF}$, $I_o = 4\text{ mA}$ and $R_L = 2\text{ k}\Omega$.
3. $C_L = 10\text{pF}$, $I_o = 4\text{ mA}$ and $R_L = 2\text{ k}\Omega$.

SXGA RGB to TFT graphics engine

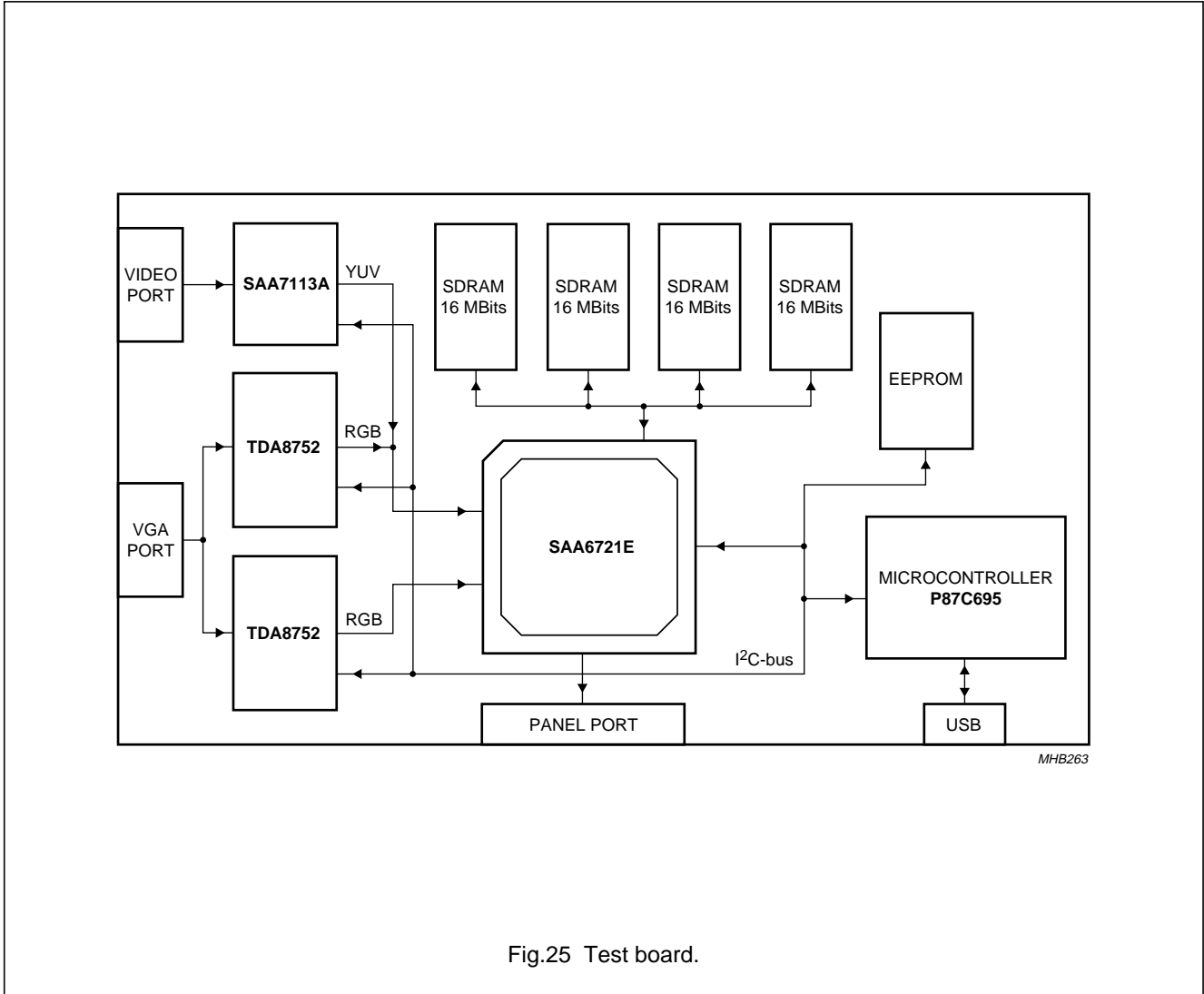
SAA6721E



SXGA RGB to TFT graphics engine

SAA6721E

12 APPLICATION INFORMATION



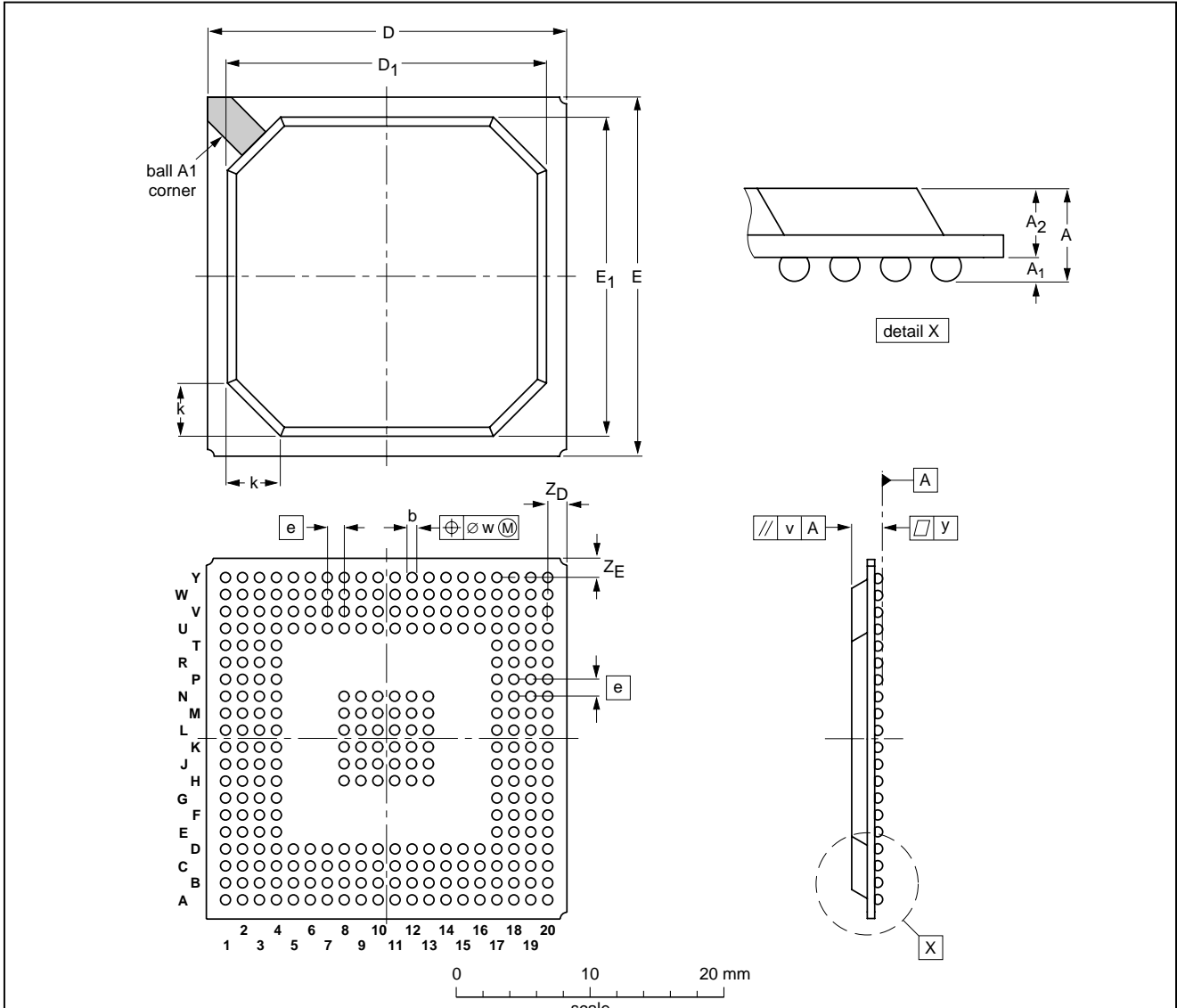
SXGA RGB to TFT graphics engine

SAA6721E

13 PACKAGE OUTLINE

BGA292: plastic ball grid array package; 292 balls; body 27 x 27 x 1.75 mm

SOT489-1



DIMENSIONS (mm are the original dimensions)

UNIT	A max.	A ₁	A ₂	b	D	D ₁	E	E ₁	e	k	v	w	y	Z _D	Z _E
mm	2.46	0.70 0.50	1.85 1.62	0.90 0.60	27.2 26.8	24.7 24.0	27.2 26.8	24.7 24.0	1.27	4.0 3.9	0.35	0.3	0.15	1.84 1.04	1.84 1.04

OUTLINE VERSION	REFERENCES				EUROPEAN PROJECTION	ISSUE DATE
	IEC	JEDEC	EIAJ			
SOT489-1						98-05-06

SXGA RGB to TFT graphics engine

SAA6721E

14 SOLDERING**14.1 Introduction to soldering surface mount packages**

This text gives a very brief insight to a complex technology. A more in-depth account of soldering ICs can be found in our *"Data Handbook IC26; Integrated Circuit Packages"* (document order number 9398 652 90011).

There is no soldering method that is ideal for all surface mount IC packages. Wave soldering is not always suitable for surface mount ICs, or for printed-circuit boards with high population densities. In these situations reflow soldering is often used.

14.2 Reflow soldering

Reflow soldering requires solder paste (a suspension of fine solder particles, flux and binding agent) to be applied to the printed-circuit board by screen printing, stencilling or pressure-syringe dispensing before package placement.

Several methods exist for reflowing; for example, infrared/convection heating in a conveyor type oven. Throughput times (preheating, soldering and cooling) vary between 100 and 200 seconds depending on heating method.

Typical reflow peak temperatures range from 215 to 250 °C. The top-surface temperature of the packages should preferably be kept below 230 °C.

14.3 Wave soldering

Conventional single wave soldering is not recommended for surface mount devices (SMDs) or printed-circuit boards with a high component density, as solder bridging and non-wetting can present major problems.

To overcome these problems the double-wave soldering method was specifically developed.

If wave soldering is used the following conditions must be observed for optimal results:

- Use a double-wave soldering method comprising a turbulent wave with high upward pressure followed by a smooth laminar wave.
- For packages with leads on two sides and a pitch (e):
 - larger than or equal to 1.27 mm, the footprint longitudinal axis is **preferred** to be parallel to the transport direction of the printed-circuit board;
 - smaller than 1.27 mm, the footprint longitudinal axis **must** be parallel to the transport direction of the printed-circuit board.

The footprint must incorporate solder thieves at the downstream end.

- For packages with leads on four sides, the footprint must be placed at a 45° angle to the transport direction of the printed-circuit board. The footprint must incorporate solder thieves downstream and at the side corners.

During placement and before soldering, the package must be fixed with a droplet of adhesive. The adhesive can be applied by screen printing, pin transfer or syringe dispensing. The package can be soldered after the adhesive is cured.

Typical dwell time is 4 seconds at 250 °C.

A mildly-activated flux will eliminate the need for removal of corrosive residues in most applications.

14.4 Manual soldering

Fix the component by first soldering two diagonally-opposite end leads. Use a low voltage (24 V or less) soldering iron applied to the flat part of the lead. Contact time must be limited to 10 seconds at up to 300 °C.

When using a dedicated tool, all other leads can be soldered in one operation within 2 to 5 seconds between 270 and 320 °C.

SXGA RGB to TFT graphics engine

SAA6721E

14.5 Suitability of surface mount IC packages for wave and reflow soldering methods

PACKAGE	SOLDERING METHOD	
	WAVE	REFLOW ⁽¹⁾
BGA, SQFP	not suitable	suitable
HLQFP, HSQFP, HSOP, SMS	not suitable ⁽²⁾	suitable
PLCC ⁽³⁾ , SO, SOJ	suitable	suitable
LQFP, QFP, TQFP	not recommended ⁽³⁾⁽⁴⁾	suitable
SSOP, TSSOP, VSO	not recommended ⁽⁵⁾	suitable

Notes

1. All surface mount (SMD) packages are moisture sensitive. Depending upon the moisture content, the maximum temperature (with respect to time) and body size of the package, there is a risk that internal or external package cracks may occur due to vaporization of the moisture in them (the so called popcorn effect). For details, refer to the Drypack information in the "Data Handbook IC26; Integrated Circuit Packages; Section: Packing Methods".
2. These packages are not suitable for wave soldering as a solder joint between the printed-circuit board and heatsink (at bottom version) can not be achieved, and as solder may stick to the heatsink (on top version).
3. If wave soldering is considered, then the package must be placed at a 45° angle to the solder wave direction. The package footprint must incorporate solder thieves downstream and at the side corners.
4. Wave soldering is only suitable for LQFP, TQFP and QFP packages with a pitch (e) equal to or larger than 0.8 mm; it is definitely not suitable for packages with a pitch (e) equal to or smaller than 0.65 mm.
5. Wave soldering is only suitable for SSOP and TSSOP packages with a pitch (e) equal to or larger than 0.65 mm; it is definitely not suitable for packages with a pitch (e) equal to or smaller than 0.5 mm.

SXGA RGB to TFT graphics engine

SAA6721E

15 DEFINITIONS

Data sheet status	
Objective specification	This data sheet contains target or goal specifications for product development.
Preliminary specification	This data sheet contains preliminary data; supplementary data may be published later.
Product specification	This data sheet contains final product specifications.
Limiting values	
Limiting values given are in accordance with the Absolute Maximum Rating System (IEC 134). Stress above one or more of the limiting values may cause permanent damage to the device. These are stress ratings only and operation of the device at these or at any other conditions above those given in the Characteristics sections of the specification is not implied. Exposure to limiting values for extended periods may affect device reliability.	
Application information	
Where application information is given, it is advisory and does not form part of the specification.	

16 LIFE SUPPORT APPLICATIONS

These products are not designed for use in life support appliances, devices, or systems where malfunction of these products can reasonably be expected to result in personal injury. Philips customers using or selling these products for use in such applications do so at their own risk and agree to fully indemnify Philips for any damages resulting from such improper use or sale

17 PURCHASE OF PHILIPS I²C COMPONENTS

Purchase of Philips I²C components conveys a license under the Philips' I²C patent to use the components in the I²C system provided the system conforms to the I²C specification defined by Philips. This specification can be ordered using the code 9398 393 40011.

SXGA RGB to TFT graphics engine

SAA6721E

NOTES

SXGA RGB to TFT graphics engine

SAA6721E

NOTES

Philips Semiconductors – a worldwide company

Argentina: see South America

Australia: 34 Waterloo Road, NORTH RYDE, NSW 2113,
Tel. +61 2 9805 4455, Fax. +61 2 9805 4466

Austria: Computerstr. 6, A-1101 WIEN, P.O. Box 213,
Tel. +43 1 60 101 1248, Fax. +43 1 60 101 1210

Belarus: Hotel Minsk Business Center, Bld. 3, r. 1211, Volodarski Str. 6,
220050 MINSK, Tel. +375 172 20 0733, Fax. +375 172 20 0773

Belgium: see The Netherlands

Brazil: see South America

Bulgaria: Philips Bulgaria Ltd., Energoproject, 15th floor,
51 James Bourchier Blvd., 1407 SOFIA,
Tel. +359 2 68 9211, Fax. +359 2 68 9102

Canada: PHILIPS SEMICONDUCTORS/COMPONENTS,
Tel. +1 800 234 7381, Fax. +1 800 943 0087

China/Hong Kong: 501 Hong Kong Industrial Technology Centre,
72 Tat Chee Avenue, Kowloon Tong, HONG KONG,
Tel. +852 2319 7888, Fax. +852 2319 7700

Colombia: see South America

Czech Republic: see Austria

Denmark: Sydhavnsgade 23, 1780 COPENHAGEN V,
Tel. +45 33 29 3333, Fax. +45 33 29 3905

Finland: Sinikalliontie 3, FIN-02630 ESPOO,
Tel. +358 9 615 800, Fax. +358 9 6158 0920

France: 51 Rue Carnot, BP317, 92156 SURESNES Cedex,
Tel. +33 1 4099 6161, Fax. +33 1 4099 6427

Germany: Hammerbrookstraße 69, D-20097 HAMBURG,
Tel. +49 40 2353 60, Fax. +49 40 2353 6300

Hungary: see Austria

India: Philips INDIA Ltd, Band Box Building, 2nd floor,
254-D, Dr. Annie Besant Road, Worli, MUMBAI 400 025,
Tel. +91 22 493 8541, Fax. +91 22 493 0966

Indonesia: PT Philips Development Corporation, Semiconductors Division,
Gedung Philips, Jl. Buncit Raya Kav.99-100, JAKARTA 12510,
Tel. +62 21 794 0040 ext. 2501, Fax. +62 21 794 0080

Ireland: Newstead, Clonskeagh, DUBLIN 14,
Tel. +353 1 7640 000, Fax. +353 1 7640 200

Israel: RAPAC Electronics, 7 Kehilat Saloniki St, PO Box 18053,
TEL AVIV 61180, Tel. +972 3 645 0444, Fax. +972 3 649 1007

Italy: PHILIPS SEMICONDUCTORS, Piazza IV Novembre 3,
20124 MILANO, Tel. +39 02 67 52 2531, Fax. +39 02 67 52 2557

Japan: Philips Bldg 13-37, Kohnan 2-chome, Minato-ku,
TOKYO 108-8507, Tel. +81 3 3740 5130, Fax. +81 3 3740 5077

Korea: Philips House, 260-199 Itaewon-dong, Yongsan-ku, SEOUL,
Tel. +82 2 709 1412, Fax. +82 2 709 1415

Malaysia: No. 76 Jalan Universiti, 46200 PETALING JAYA, SELANGOR,
Tel. +60 3 750 5214, Fax. +60 3 757 4880

Mexico: 5900 Gateway East, Suite 200, EL PASO, TEXAS 79905,
Tel. +9-5 800 234 7381, Fax +9-5 800 943 0087

Middle East: see Italy

Netherlands: Postbus 90050, 5600 PB EINDHOVEN, Bldg. VB,
Tel. +31 40 27 82785, Fax. +31 40 27 88399

New Zealand: 2 Wagener Place, C.P.O. Box 1041, AUCKLAND,
Tel. +64 9 849 4160, Fax. +64 9 849 7811

Norway: Box 1, Manglerud 0612, OSLO,
Tel. +47 22 74 8000, Fax. +47 22 74 8341

Pakistan: see Singapore

Philippines: Philips Semiconductors Philippines Inc.,
106 Valero St. Salcedo Village, P.O. Box 2108 MCC, MAKATI,
Metro MANILA, Tel. +63 2 816 6380, Fax. +63 2 817 3474

Poland: Ul. Lukiska 10, PL 04-123 WARSZAWA,
Tel. +48 22 612 2831, Fax. +48 22 612 2327

Portugal: see Spain

Romania: see Italy

Russia: Philips Russia, Ul. Usatcheva 35A, 119048 MOSCOW,
Tel. +7 095 755 6918, Fax. +7 095 755 6919

Singapore: Lorong 1, Toa Payoh, SINGAPORE 319762,
Tel. +65 350 2538, Fax. +65 251 6500

Slovakia: see Austria

Slovenia: see Italy

South Africa: S.A. PHILIPS Pty Ltd., 195-215 Main Road Martindale,
2092 JOHANNESBURG, P.O. Box 58088 Newville 2114,
Tel. +27 11 471 5401, Fax. +27 11 471 5398

South America: Al. Vicente Pinzon, 173, 6th floor,
04547-130 SÃO PAULO, SP, Brazil,
Tel. +55 11 821 2333, Fax. +55 11 821 2382

Spain: Balmes 22, 08007 BARCELONA,
Tel. +34 93 301 6312, Fax. +34 93 301 4107

Sweden: Kottbygatan 7, Akalla, S-16485 STOCKHOLM,
Tel. +46 8 5985 2000, Fax. +46 8 5985 2745

Switzerland: Allmendstrasse 140, CH-8027 ZÜRICH,
Tel. +41 1 488 2741 Fax. +41 1 488 3263

Taiwan: Philips Semiconductors, 6F, No. 96, Chien Kuo N. Rd., Sec. 1,
TAIPEI, Taiwan Tel. +886 2 2134 2886, Fax. +886 2 2134 2874

Thailand: PHILIPS ELECTRONICS (THAILAND) Ltd.,
209/2 Sanpavuth-Bangna Road Prakanong, BANGKOK 10260,
Tel. +66 2 745 4090, Fax. +66 2 398 0793

Turkey: Yukari Dudullu, Org. San. Blg., 2.Cad. Nr. 28 81260 Umraniye,
ISTANBUL, Tel. +90 216 522 1500, Fax. +90 216 522 1813

Ukraine: PHILIPS UKRAINE, 4 Patrice Lumumba str., Building B, Floor 7,
252042 KIEV, Tel. +380 44 264 2776, Fax. +380 44 268 0461

United Kingdom: Philips Semiconductors Ltd., 276 Bath Road, Hayes,
MIDDLESEX UB3 5BX, Tel. +44 181 730 5000, Fax. +44 181 754 8421

United States: 811 East Arques Avenue, SUNNYVALE, CA 94088-3409,
Tel. +1 800 234 7381, Fax. +1 800 943 0087

Uruguay: see South America

Vietnam: see Singapore

Yugoslavia: PHILIPS, Trg N. Pasica 5/v, 11000 BEOGRAD,
Tel. +381 11 62 5344, Fax.+381 11 63 5777

For all other countries apply to: Philips Semiconductors,
International Marketing & Sales Communications, Building BE-p, P.O. Box 218,
5600 MD EINDHOVEN, The Netherlands, Fax. +31 40 27 24825

Internet: <http://www.semiconductors.philips.com>

© Philips Electronics N.V. 1999

SCA 64

All rights are reserved. Reproduction in whole or in part is prohibited without the prior written consent of the copyright owner.

The information presented in this document does not form part of any quotation or contract, is believed to be accurate and reliable and may be changed without notice. No liability will be accepted by the publisher for any consequence of its use. Publication thereof does not convey nor imply any license under patent- or other industrial or intellectual property rights.

Printed in The Netherlands

545004/750/01/pp72

Date of release: 1999 May 11

Document order number: 9397 750 04392

Let's make things better.

**Philips
Semiconductors**



PHILIPS